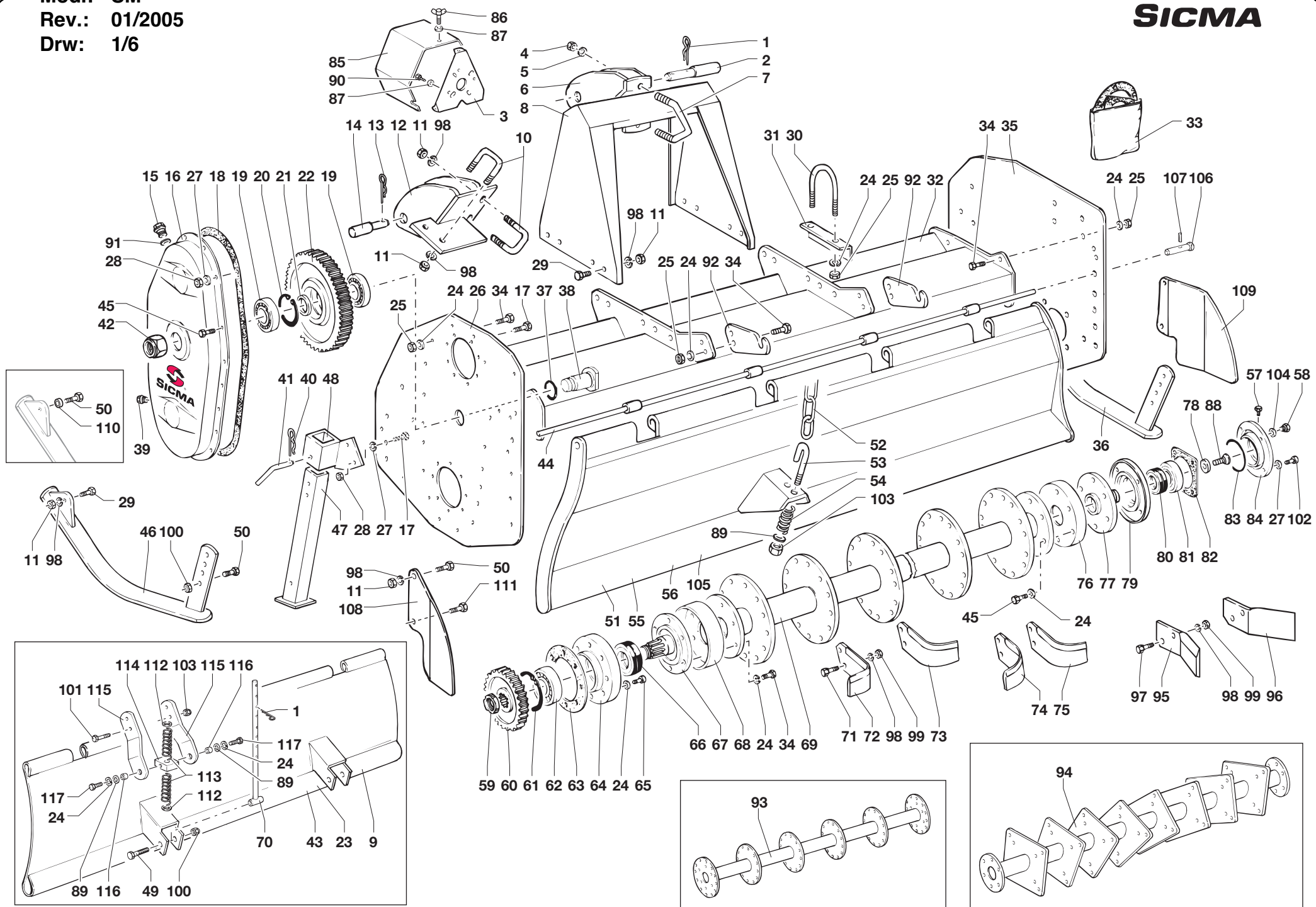
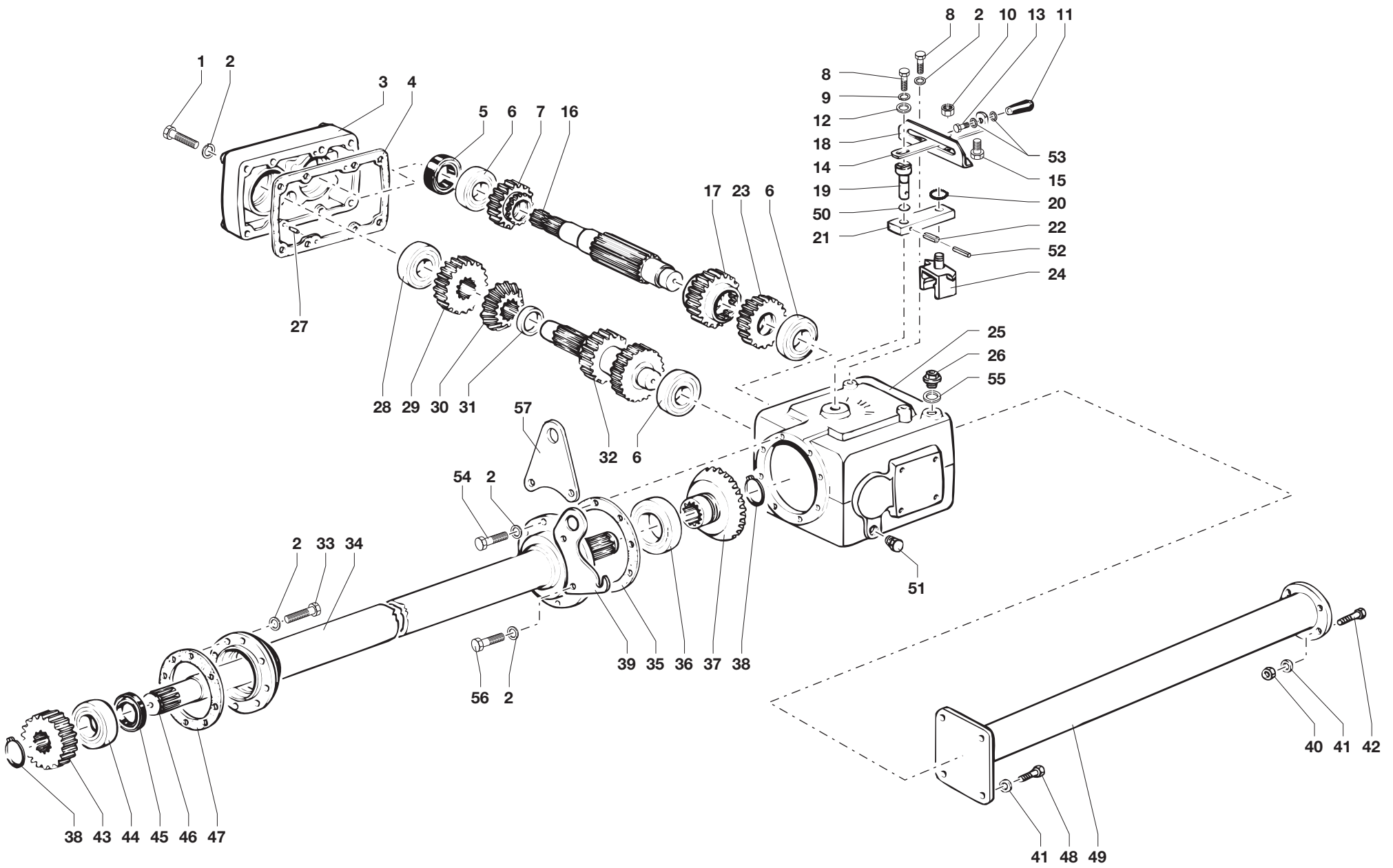


Type: FRESATRICE
Mod.: SM
Rev.: 01/2005
Drw: 1/6



Type: FRESATRICE
Mod.: SM
Rev.: 01/2005
Drw: 2/6

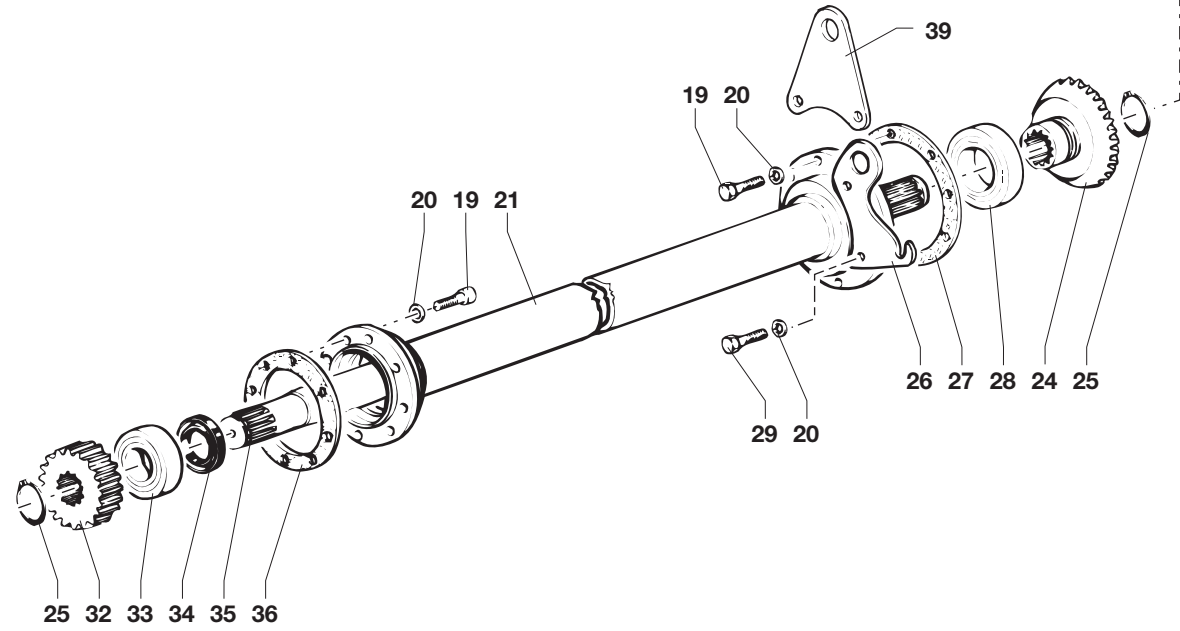
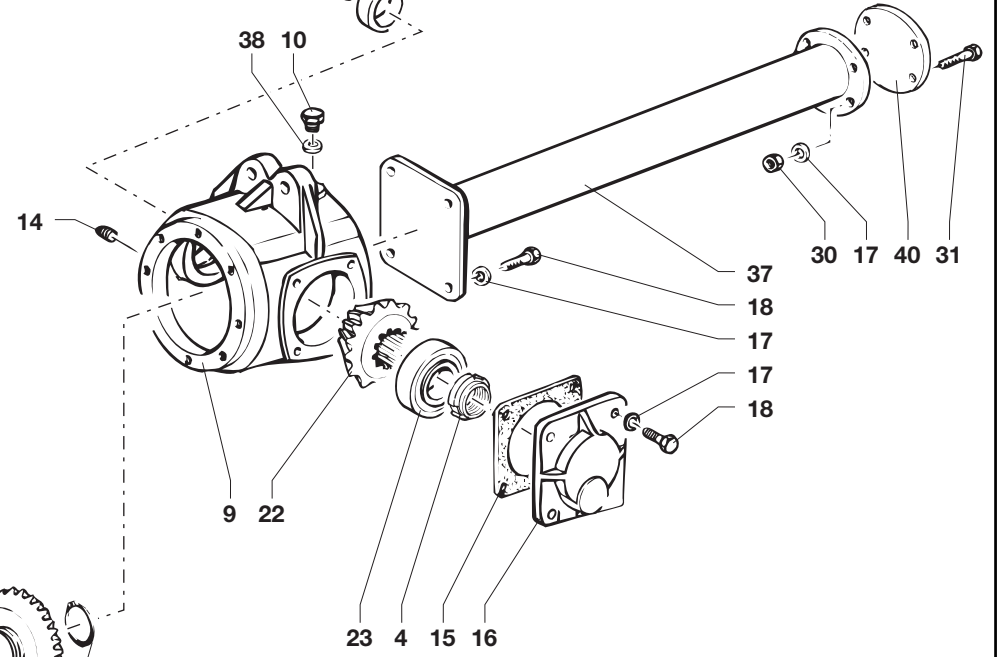
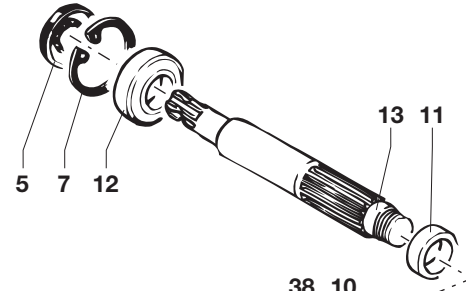
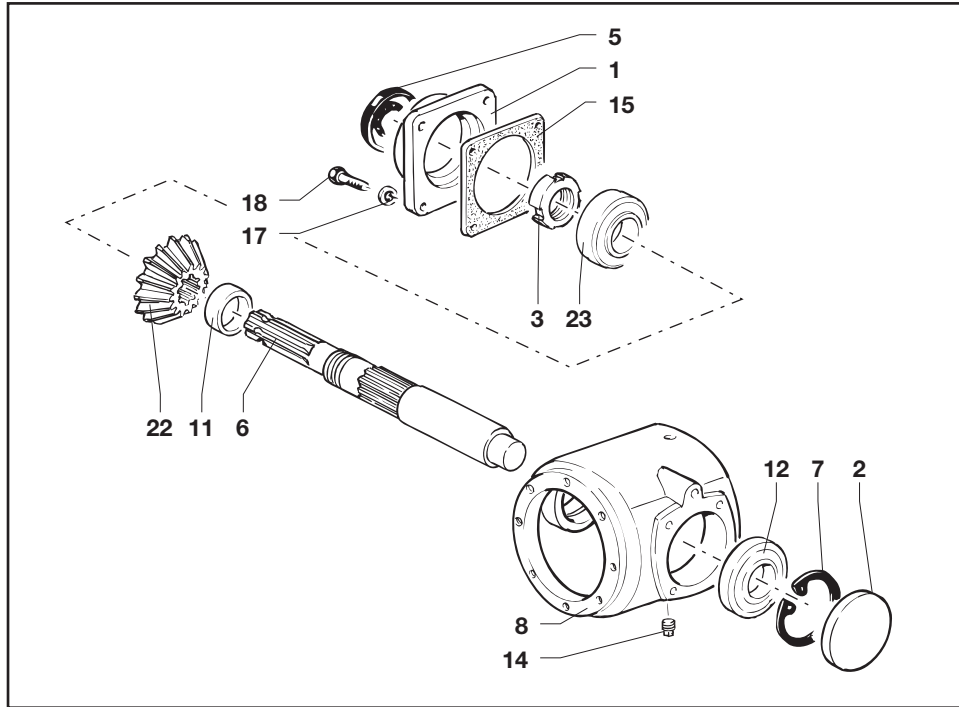


Type: FRESATRICE

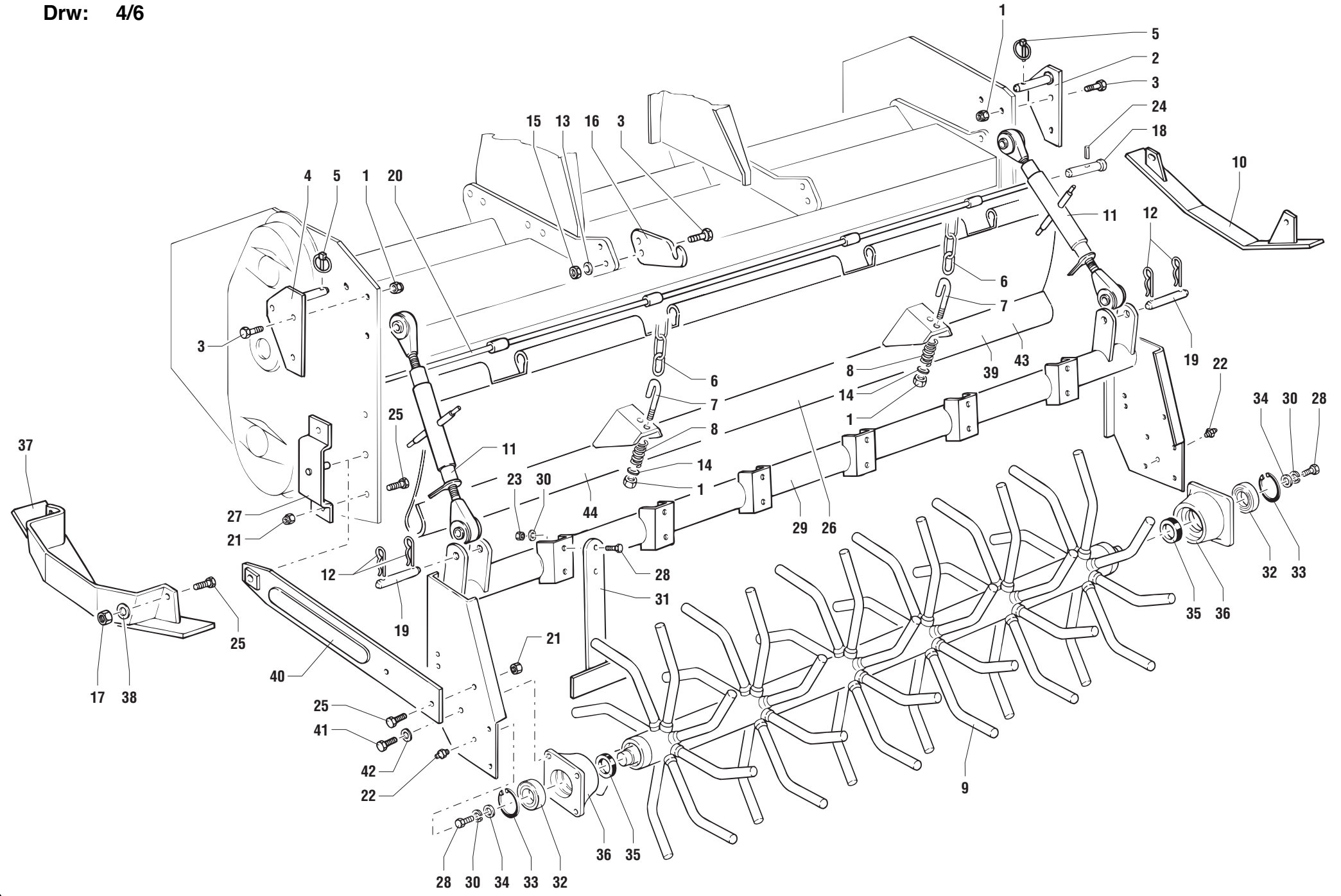
Mod.: SM

Rev.: 01/2005

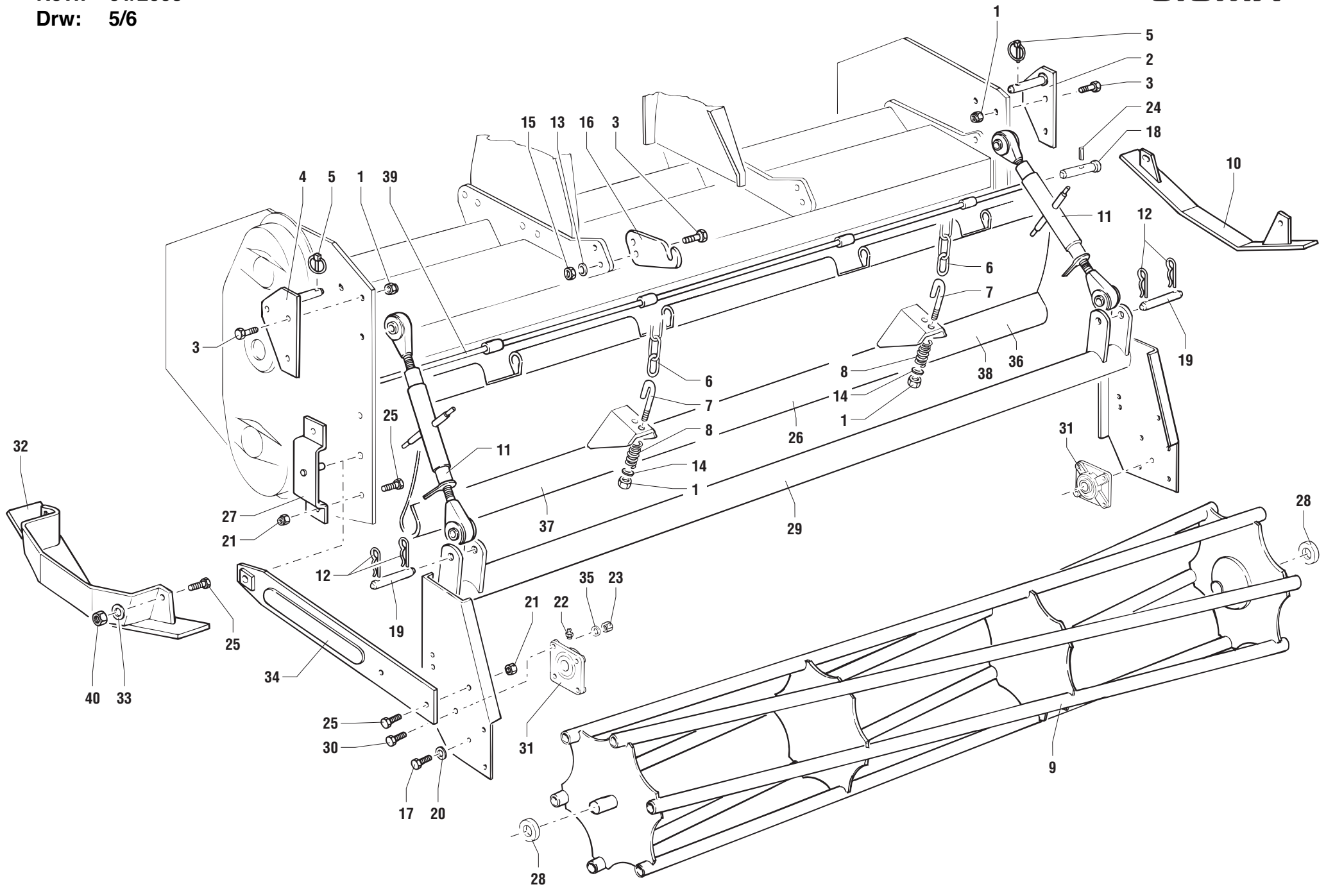
Drw: 3/6



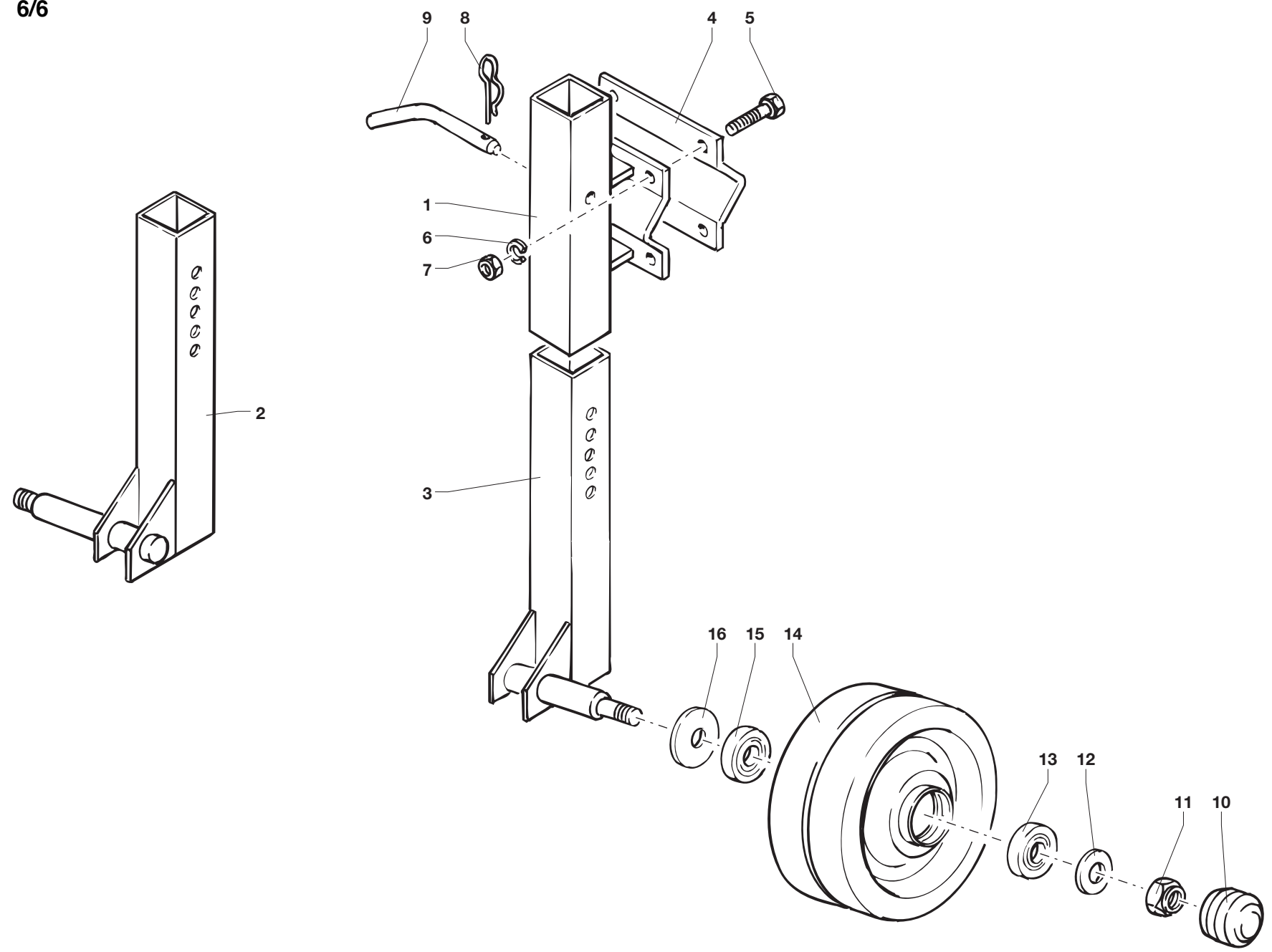
Type: FRESATRICE
Mod.: SM
Rev.: 01/2005
Drw: 4/6



Type: FRESATRICE
Mod.: SM
Rev.: 01/2005
Drw: 5/6



Type: FRESATRICE
Mod.: SM
Rev.: 01/2005
Drw: 6/6



Type: FRESATRICE

Mod.: SM

Rev.: 01/2005

Tab: 1/6

Pag. 1/3

RIF.	CODICE	DENOMINAZIONE	DESCRIPTION	BENENNUNG	DESIGNATION
1	6351004	Copiglia a "R" ø 4x80	Split pin ø 4x80	Splint ø 4x80	Coupille ø 4x80
2	5304001	Perno 3° punto superiore	Pin	Bolzen	Axe
3	4138035	Supporto protezione giunto	Protection support	Halterung	Support
4	34100016	Dado M16 PG UNI 5587	Nut M16 PG UNI 5587	Mutter M16 PG UNI 5587	Ecrou M16 PG UNI 5587
5	34121016	Rondella grower ø 16 UNI 1751	Washer ø 16 UNI 1751	Scheibe ø 16 UNI 1751	Rondelle ø 16 UNI 1751
6	4007937	3° punto superiore	Plate	Verbindungstuuck 3° punkt	Cadre 3° point
7	4302257	Cravatta bloccaggio ST-SM	"U" Screw	Halter	Etrier
8	4008697	Attacco 3° punto superiore	Plate	Verbindungstück 3° punkt	Cadre 3° point
9	4007984	Coperchio corto tipo "C" SM-235 Sx	Left cover SM-235	Linkes deckel SM-235	Couvercle gauche SM-235
10	4307802	Cravatta quadra 3° punto inf.	"U" Screw	Halter	Etrier
11	34100014	Dado M14 PG UNI 5587	Nut M14 PG UNI 5587	Mutter M14 PG UNI 5587	Ecrou M14 PG UNI 5587
12	4007935	Attacco 3° punto inferiore dx	Plate	Verbindungstück 3° punkt	Cadre 3° point
12	4007936	Attacco 3° punto inferiore sx	Plate	Verbindungstück 3° punkt	Cadre 3° point
13	6351004	Copiglia a "R" ø 4x80	Split pin ø 4x80	Splint ø 4x80	Coupille ø 4x80
14	4309179	Perno 3° punto inferiore	Pin	Bolzen	Axe
15	3442022	Tappo valvola M22x1,5	Plug M22x1,5	Auspuffpropfen M22x1,5	Bouchon M22x1,5
16	4008347	Carter trasmissione	Gearbox	Carter	Carter
17	31510025	Vite M10x1,5x25 UNI 5739	Screw M10x1,5x25 UNI 5739	Schraube M10x1,5x25 UNI 5739	Vis M10x1,5x25 UNI 5739
18	4788398	Guarnizione cop. trasmissione	Gasket	Dichtung	Joint
19	2030210	Cuscinetto 30210	Bearing 30210	Lager 30210	Roulement 30210
20	6310090	Seeger I ø 90	Circlip I ø 90	Seegersicherung I ø 90	Bague d'arrêt I ø 90
21	4598238	Distanziale ingranaggio di rinvio	Spacer	Abstandstück	Entretoise
22	4728017	Ingranaggio di rinvio Z=41	Intermediate gear Z=41	Zhanrad Z=41	Engrangement Z=41
23	4007983	Coperchio corto tipo "C" SM-235 Dx	Right cover SM-235	Rechtes deckel SM-235	Couvercle droit SM-235
24	34121012	Rondella grower ø 12 UNI 1751	Washer ø 12 UNI 1751	Scheibe ø 12 UNI 1751	Rondelle ø 12 UNI 1751
25	34100012	Dado M12 PG UNI 5587	Nut M12 PG UNI 5587	Mutter M12 PG UNI 5587	Ecrou M12 PG UNI 5587
26	4937901	Piastra lato trasmissione	Plate	Platte	Plaque
27	34121010	Rondella grower ø 10 UNI 1751	Washer ø 10 UNI 1751	Scheibe ø 10 UNI 1751	Rondelle ø 10 UNI 1751
28	34100010	Dado M10 PG UNI 5587	Nut M10 PG UNI 5587	Mutter M10 PG UNI 5587	Ecrou M10 PG UNI 5587
29	31514035	Vite M14x2x35 UNI 5739	Screw M14x2x35 UNI 5739	Schraube M14x2x35 UNI 5739	Vis M14x2x35 UNI 5739
30	4332278	Cravatta fissaggio supporto	U Screw	Halter	Etrier
31	4137741	Angolare per cravatta fissaggio	Support	Lager	Support
32	4007901	Telaio SM-110	Frame SM-110	Gestell SM-110	Cadre SM-110
32	4007902	Telaio SM-120	Frame SM-120	Gestell SM-120	Cadre SM-120
32	4007903	Telaio SM-135	Frame SM-135	Gestell SM-135	Cadre SM-135
32	4007904	Telaio SM-150	Frame SM-150	Gestell SM-150	Cadre SM-150
32	4007905	Telaio SM-160	Frame SM-160	Gestell SM-160	Cadre SM-160
32	4007906	Telaio SM-185	Frame SM-185	Gestell SM-185	Cadre SM-185
32	4007907	Telaio SM-210	Frame SM-210	Gestell SM-210	Cadre SM-210
32	4007908	Telaio SM-235	Frame SM-235	Gestell SM-235	Cadre SM-235
33	4008257	Sacchetto guarnizioni	Gasket set	Dichtungssatz	Séries garniture
34	31512035	Vite M12x1,75x35 UNI 5739	Screw M12x1,75x35 UNI 5739	Schraube M12x1,75x35 UNI 5739	Vis M12x1,75x35 UNI 5739
35	4937902	Piastra lato esterno	External side plate	Platte	Plaque
36	4007002	Slitta dx	Right skid	Rechter schlitten	Glissière droite
37	6800045	Guarnizione O.R. 133	O. Ring 133	O. Ring 133	Bague d'étainchéité 133
38	4208153	Perno ingranaggio di rinvio	Pin	Bolzen	Axe
39	3441014	Tappo livello olio M14x1,5	Plug M14x1,5	Oelstopfen M14x1,5	Bouchon M14x1,5
40	6351003	Coppiglia a "R" ø 3x60	Split pin "R" ø 3x60	Splint "R" ø 3x60	Goupille "R" ø 3x60
41	4236115	Perno bloccaggio piedino	Pin	Bolzen	Axe
42	34106040	Dado autobloccante M40x2	Self locking nut M40x2	Nutmutter M40x2	Ecrou autobloquant M40x2
43	4007980	Coperchio corto tipo "C" SM-160	Bonnet SM-160	Deckel SM-160	Capot SM-160
43	4007981	Coperchio corto tipo "C" SM-185	Bonnet SM-185	Deckel SM-185	Capot SM-185
43	4007982	Coperchio corto tipo "C" SM-210	Bonnet SM-210	Deckel SM-210	Capot SM-210
44	4232102	Perno coperchio SM-110	Bonnet pin SM-110	Bolzen deckel SM-110	Axe capot SM-110
44	4232103	Perno coperchio SM-120	Bonnet pin SM-120	Bolzen deckel SM-120	Axe capot SM-120
44	4232104	Perno coperchio SM-135	Bonnet pin SM-135	Bolzen deckel SM-135	Axe capot SM-135
44	4232105	Perno coperchio SM-150	Bonnet pin SM-150	Bolzen deckel SM-150	Axe capot SM-150
44	4232106	Perno coperchio SM-160	Bonnet pin SM-160	Bolzen deckel SM-160	Axe capot SM-160
44	4232107	Perno coperchio SM-185	Bonnet pin SM-185	Bolzen deckel SM-185	Axe capot SM-185
44	4232108	Perno coperchio SM-210	Bonnet pin SM-210	Bolzen deckel SM-210	Axe capot SM-210
44	4237901	Perno coperchio SM-235	Bonnet pin SM-235	Bolzen deckel SM-235	Axe capot SM-235
45	31512030	Vite M12x1,75x30 UNI 5739	Screw M12x1,75x30 UNI 5739	Schraube M12x1,75x30	Vis M12x1,75x30 UNI 5739
46	4007003	Slitta sx	Left skid	Linker Schlitten	Glissière gauche
47	4002376	Piedino di appoggio	Foot	Fuss	Pied
48	4002377	Supporto piedino	Support	Halterung	Support
49	31314080	Vite M14x2x80 UNI 5737	Screw M14x2x80 UNI 5737	Schraube M14x2x80 UNI 5737	Vis M14x2x80 UNI 5737
50	31514040	Vite M14x2x40 UNI 5739	Screw M14x2x40 UNI 5739	Schraube M14x2x40 UNI 5739	Vis M14x2x40 UNI 5739
51	4007915	Coperchio SM-110	Bonnet SM-110	Haube SM-110	Capot SM-110
51	4007916	Coperchio SM-120	Bonnet SM-120	Haube SM-120	Capot SM-120
51	4007917	Coperchio SM-135	Bonnet SM-135	Haube SM-135	Capot SM-135
51	4007918	Coperchio SM-150	Bonnet SM-150	Haube SM-150	Capot SM-150
51	4007919	Coperchio SM-160	Bonnet SM-160	Haube SM-160	Capot SM-160
51	4007920	Coperchio SM-185	Bonnet SM-185	Haube SM-185	Capot SM-185
51	4007921	Coperchio SM-210	Bonnet SM-210	Haube SM-210	Capot SM-210
52	4508002	Catena coperchio 15 maglie SM-185/210/235	Chain SM-185/210/235	Kette SM-185/210/235	Chaîne SM-185/210/235
52	4508003	Catena cop. 17 maglie SM-110/120/135/150/160	Chain SM-110/120/135/150/160	Kette SM-110/120/135/150/160	Chaîne SM-110/120/135/150/160
53	4302183	Gancio per catena	Chain plate	Metallplatte	Plaque chaîne
54	4212214	Molla ammortizzatore	Spring	Feder	Ressort

Type: FRESATRICE

Mod.: SM

Rev.: 01/2005

Tab: 1/6

Pag. 2/3

RIF.	CODICE	DENOMINAZIONE	DESCRIPTION	BENENNUNG	DESIGNATION
55	4007926	Coperchio SM-235 Sx	Left cover SM-235	Linkes deckel SM-235	Couvercle gauche SM-235
56	4007925	Coperchio SM-235 Dx	Right cover SM-235	Rechtes deckel SM-235	Couvercle droit SM-235
57	3441014	Tappo olio	Plug	Auspuffpropfen	Bouchon
58	3444014	Tappo livello olio	Plug	Auspuffpropfen	Bouchon
59	34127035	Ghiera autobl. ø 35x1,5 GUP	Self looking nut ø 35x1,5 GUP	Selbstperrendmutter ø 35x1,5 GUP	Collier autobl. ø 35x1,5 GUP
60	4728337	Ingranaggio condotto Z=32	Gear Z=32	Zahnrad Z=32	Engrenage Z=32
61	6310100	Seeger I ø 100	Circlip I ø 100	Seegersicherung I ø 100	Bague d'arrêt I ø 100
62	2006309	Cuscinetto 6309	Bearing 6309	Lager 6309	Roulement 6309
63	4788217	Guarnizione supp. ingranaggio	Gasket	Dichtung	Joint
64	4708201	Supporto mozzo ingranaggio	Support	Halterung	Support
65	31712025	Vite TCEI M12x1,75x25 UNI 5931	Screw TCEI M12x1,75x25 UNI 5931	Schraube TCEI M12x1,75x25 UNI 5931	Vis TCEI M12x1,75x25 UNI 5931
66	6203707	Gruppo GNL 5470	Oil seal GNL 5470	Oelabdichtung GNL 5470	Pare-huile GNL 5470
67	4728200	Mozzo ingranaggio condotto	Hub	Nabe	Moyeur
68	4148040	Coperchio parapolvere trasm.	Dust cover	Deckel	Couvercle
69	4007815	Rotore porta zappe SM-110	Blades holder rotor SM-110	Rotor SM-110	Rotor SM-110
69	4007816	Rotore porta zappe SM-120	Blades holder rotor SM-120	Rotor SM-120	Rotor SM-120
69	4007940	Rotore porta zappe SM-135	Blades holder rotor SM-135	Rotor SM-135	Rotor SM-135
69	4007941	Rotore porta zappe SM-150	Blades holder rotor SM-150	Rotor SM-150	Rotor SM-150
69	4007942	Rotore porta zappe SM-160	Blades holder rotor SM-160	Rotor SM-160	Rotor SM-160
69	4007943	Rotore porta zappe SM-185	Blades holder rotor SM-185	Rotor SM-185	Rotor SM-185
69	4007944	Rotore porta zappe SM-210	Blades holder rotor SM-210	Rotor SM-210	Rotor SM-210
69	4007945	Rotore porta zappe SM-235	Blades holder rotor SM-235	Rotor SM-235	Rotor SM-235
70	4004030	Asta regolazione	Adjusting rod	Regulierstange	Tige de réglage
71	31414040	Vite M14x1,5x40 Fil. 20	Screw M14x1,5x40	Schraube M14x1,5x40	Vis M14x1,5x40
72	4818224	Zappa a squadra sinistra	Left square blade	Linkes winkelmesser	Couteau gauche à équerre
73	4818225	Zappa a squadra destra	Right square blade	Rechtes Winkelmesser	Couteau droite à équerre
74	4818223	Zappa curva sinistra	Left blade	Linkes messer	Couteau gauche
75	4818222	Zappa curva destra	Right blade	Rechtes messer	Couteau droite
76	4148030	Coperchio parapolvere esterno	Dust cover	Deckel	Couvercle
77	4708249	Mozzo supporto rotore	Rotor support hub	Nabe	Moyeur
78	4208021	Rondella ferma cuscinetto	Washer	Scheibe	Rondelle
79	4708239	Supporto GNL	Support GNL	Halterung GNL	Support GNL
80	6205300	Gruppo GNL JD 5300	Oil seal GNL JD 5300	Oelabdichtung GNL JD 5300	Pare-huile GNL JD 5300
81	2106307	Cuscinetto 6307	Bearing 6307	Lager 6307	Roulement 6307
82	4788219	Guarnizione supporto esterno	Gasket	Dichtung	Garniture
83	6800094	Guarnizione O.R. 240	O. Ring 240	O. Ring 240	Bague d'étanchéité 240
84	4708248	Supporto cuscinetto	Bearing support	Halterung	Support
85	4138034	Protezione giunto	Joint protection	Schutz kupplung	Protection joint
86	33108020	Vite ad alette M8x1,25x20	Screw M8x1,25x20	Schraube M8x1,25x20	Vis M8x1,25x20
87	34118008	Rondella piana ø 8 fascia larga	Washer ø 8	Scheibe ø 8	Rondelle ø 8
88	30612030	Vite TSEI M12x1,75x30	Screw M12x1,75x30	Schraube M12x1,75x30	Vis M12x1,75x30
89	34120012	Rondella piana ø 12 UNI 6592	Washer ø 12 UNI 6592	Scheibe ø 12 UNI 6592	Rondelle ø 12 UNI 6592
90	31508016	Vite M8x1,25x16 UNI 5739	Screw M8x1,25x16 UNI 5739	Schraube M8x1,25x16 UNI 5739	Vis M8x1,25x16 UNI 5739
91	6470118	Rondella alluminio ø 22	Washer ø 22	Scheibe ø 22	Rondelle ø 22
92	4934778	Gancio catena SM-185/210/230	Chain plate SM-185/210/230	Metallplatte SM-185/210/230	Plaque chaîne SM-185/210/230
93	4007988	Rotore tipo PUGLIA SM-135	Rotor SM-135	Rotor SM-135	Rotor SM-135
93	4007989	Rotore tipo PUGLIA SM-150	Rotor SM-150	Rotor SM-150	Rotor SM-150
93	4007990	Rotore tipo PUGLIA SM-160	Rotor SM-160	Rotor SM-160	Rotor SM-160
93	4007991	Rotore tipo PUGLIA SM-185	Rotor SM-185	Rotor SM-185	Rotor SM-185
93	4007992	Rotore tipo PUGLIA SM-210	Rotor SM-210	Rotor SM-210	Rotor SM-210
93	4007993	Rotore tipo PUGLIA SM-235	Rotor SM-235	Rotor SM-235	Rotor SM-235
94	4002167	Rotolama RSM-160	Rotor RSM-160	Rotor RSM-160	Rotor RSM-160
94	4002168	Rotolama RSM-185	Rotor RSM-185	Rotor RSM-185	Rotor RSM-185
94	4002169	Rotolama RSM-210	Rotor RSM-210	Rotor RSM-210	Rotor RSM-210
94	4007947	Rotolama RSM-235	Rotor RSM-235	Rotor RSM-235	Rotor RSM-235
95	4818195	Coltello 2 fori sx	Left blade	Linkes messer	Couteau gauche
96	4818194	Coltello 2 fori dx	Right blade	Rechtes messer	Couteau droite
97	31414045	Vite M14x1,5x45 fil. 20	Screw M14x1,5x45	Schraube M14x1,5x45	Vis M14x1,5x45
98	34032014	Rondella grower ø 14 UNI 1751	Washer ø 14 UNI 1751	Scheibe ø 14 UNI 1751	Rondelle ø 14 UNI 1751
99	34101014	Dado M14 PF UNI 5587	Nut M14 PF UNI 5587	Mutter M14 PF UNI 5587	Ecrou M14 PF UNI 5587
100	34106014	Dado autobloc. M14 PG alto	Self locking nut M14 PG	Nutmutter M14 PG	Ecrou autobloquant M14 PG
101	31312050	Vite M12x1,75x50 UNI 5737	Screw M12x1,75x50 UNI 5737	Schraube M12x1,75x50 UNI 5737	Vis M12x1,75x50 UNI 5737
102	31510030	Vite M10x1,5x30 UNI 5739	Screw M10x1,5x30 UNI 5739	Schraube M10x1,5x30 UNI 5739	Vis M10x1,5x30 UNI 5739
103	34106012	Dado autobloc. M12 PG alto	Self locking nut M12 PG	Nutmutter M12 PG	Ecrou autobloquant M12 PG
104	6470114	Rondella alluminio ø 14	Washer ø 14	Scheibe ø 14	Rondelle ø 14
105	4007929	Coperchio SM-sc-135	Bonnet SM-sc-135	Haube SM-sc-135	Capot SM-sc-135
105	4007930	Coperchio SM-sc-150	Bonnet SM-sc-150	Haube SM-sc-150	Capot SM-sc-150
105	4007931	Coperchio SM-sc-160	Bonnet SM-sc-160	Haube SM-sc-160	Capot SM-sc-160
106	4232111	Perno laterale coperchio	Pin	Bolzen	Axe
107	6330636	Spina elastica	Split pin	Splint	Goupille elastique
108	4932110	Paraterra Sx	LH side earth-guard	Erdabweiser links	Garde-terre latéral gauche
109	4932109	Paraterra Dx	RH side earth-guard	Erdabweiser rechts	Garde-terre latéral droit
110	4237904	Distanziale slitta con paraterra	Spacer	Abstandstück	Entretoise
111	31514045	Vite M14x2x45 UNI 5739	Screw M14x2x45 UNI 5739	Schraube M14x2x45 UNI 5739	Vis M14x2x45 UNI 5739
112	34120020	Rondella piana ø 20 UNI 6592	Washer ø 20 UNI 6592	Scheibe ø 20 UNI 6592	Rondelle ø 20 UNI 6592
113	4214577	Molla premicofano	Spring	Feder	Ressort
114	4834001	Quadro asta regolazione	Frame	Rahmen	Cadre
115	4834002	Braccio registro coperchio	Arm	Arm	Bras

Type: FRESATRICE

Mod.: SM

Rev.: 01/2005

Tab: 1/6

Pag. 3/3

RIF.	CODICE	DENOMINAZIONE	DESCRIPTION	BENENNUNG	DESIGNATION
116	4534002	Distanziale snodo	Spacer	Abstandstück	Entretoise
117	31512025	Vite M12x1,75x25 UNI 5739	Screw M12x1,75x25 UNI 5739	Schraube M12x1,75x25 UNI 5739	Vis M12x1,75x25 UNI 5739

Type: FRESATRICE**Mod.: SM****Rev.: 01/2005****Tab: 2/6****Pag. 1/1**

RIF.	CODICE	DENOMINAZIONE	DESCRIPTION	BENENNUNG	DESIGNATION
1	30010060	Vite M10x1,5x60 UNI 5737	Screw M10x1,5x60 UNI 5737	Schraube M10x1,5x60 UNI 5737	Vis M10x1,5x60 UNI 5737
2	34021010	Rondella grower ø 10 UNI 1751	Washer ø 10 UNI 1751	Scheibe ø 10 UNI 1751	Rondelle ø 10 UNI 1751
3	4658641	Coperchio carter	Cover	Deckel	Couvercle
4	4788652	Guarnizione coperchio carter	Gasket	Dichtung	Garniture
5	6204080	Paraolio ø 40x80x10 PP	Oil seal ø 40x80x10 PP	Oelabdichtung ø 40x80x10 PP	Pare-huile ø 40x80x10 PP
6	2030308	Cuscinetto 30308	Bearing 30308	Lager 30308	Roulement 30308
7	4728646	Ingranaggio conduttore 1ª vel.	Driving gear	Zanhrad	Engrenage
8	30210020	Vite M10x1,5x20 UNI 5739	Screw M10x1,5x20 UNI 5739	Schraube M10x1,5x20 UNI 5739	Vis M10x1,5x20 UNI 5739
9	34030010	Rondella dentellata ø 10	Washer ø 10	Scheibe ø 10	Rondelle ø 10
10	34106010	Dado autobloc. M 10 PG alto	Self looking nut M10 PG	Nutmutter M10 PG	Ecrou autobloquant M10 PG
11	6601080	Pomello	Knob	Handgriff	Pommeau
12	34018010	Rondella piana ø 10 UNI 6593	Washer ø 10 UNI 6593	Scheibe ø 10 UNI 6593	Rondelle ø 10 UNI 6593
13	31510030	Vite M10x1,5x30 UNI 5739 zincata	Screw M10x1,5x30 UNI 5739	Schraube M10x1,5x30 UNI 5739	Vis M10x1,5x30 UNI 5739
14	4818656	Leva a molla	Lever	Hebel	Levier
15	4338658	Nottolino	Pawl	Sperrklinke	Cliquet d'arrêt
16	4728649	Albero primario	Shaft	Welle	Arbre
17	4728648	Ingranaggio conduttore 3ª vel.	Driving gear	Zanhrad	Engrenage
18	4138653	Settore cambio	Gear selector	Wahler	Sélectionneur
19	4208655	Perno per leva cambio	Gear lever handle	Bolzen	Poignée
20	6320018	Seeger E ø 18	Circlip E ø 18	Seegersicherung E ø 18	Bague d'arrêt E ø 18
21	4808657	Leva per forcella	Lever	Hebel	Levier
22	6330836	Spina elastica ø 8x36	Split pin ø 8x36	Splint ø 8x36	Coupille ø 8x36
23	4728647	Ingranaggio conduttore 2ª vel.	Driving gear	Zanhrad	Engrenage
24	4728651	Forcella ingranaggio scorrevole	Sliding gear fork	Gabelgelenk	Fourchette engrenage
25	4658640	Carter cambio	Gearbox	Carter	Carter
26	3442022	Tappo valvola M22x1,5	Plug M22x1,5	Auspuffpfropfen M22x1,5	Bouchon M22x1,5
27	6390820	Spinotto D. 8x20 UNI 1707	Dowel pin D. 8x20 UNI 1707	Zylinderstift D. 8x20 UNI 1707	Cheville D. 8x20 UNI 1707
28	2032308	Cuscinetto 32308	Bearing 32308	Lager 32308	Roulement 32308
29	4228645	Ingranaggio condotto 1ª vel.	Gear	Zanhrad	Engrenage
30	4728643	Pignone conico Z=15	Pinion Z=15	Ritzel Z=15	Pignon conique Z=15
31	4599031	Distanziale	Spacer	Distanzstück	Entretoise
32	4728644	Ingranaggio fisso 2ª e 3ª vel.	Gear	Zanhrad	Engrenage
33	30210025	Vite M10x1,5x25 UNI 5739	Screw M10x1,5x25 UNI 5739	Schraube M10x1,5x25 UNI 5739	Vis M10x1,5x25 UNI 5739
34	4007809	Supporto lato corona SM-110	Shaft support SM-110	Halterung SM-110	Support SM-110
34	4007810	Supporto lato corona SM-120	Shaft support SM-120	Halterung SM-120	Support SM-120
34	4007949	Supporto lato corona SM-135	Shaft support SM-135	Halterung SM-135	Support SM-135
34	4007950	Supporto lato corona SM-150	Shaft support SM-150	Halterung SM-150	Support SM-150
34	4007951	Supporto lato corona SM-160	Shaft support SM-160	Halterung SM-160	Support SM-160
34	4007952	Supporto lato corona SM-185	Shaft support SM-185	Halterung SM-185	Support SM-185
34	4007953	Supporto lato corona SM-210	Shaft support SM-210	Halterung SM-210	Support SM-210
34	4007954	Supporto lato corona SM-235	Shaft support SM-235	Halterung SM-235	Support SM-235
35	4788413	Guarnizione supp. lato trasmiss.	Gasket	Dichtung	Garniture
36	2006311	Cuscinetto 6311	Bearing 6311	Lager 6311	Roulement 6311
37	4728642	Corona conica Z=22	Ring bevel gear Z=22	Kegelradkranz Z=22	Couronne conique Z=22
38	6320045	Seeger E ø 45	Circlip E ø 45	Seegersicherung E ø 45	Bague d'arrêt E ø 45
39	4148067	Piastra att. catena SM-110/120/135/150/160	Chain plate SM-110/120/135/150/160	Metalplatte SM-110/120/135/150/160	Plaque chaîne SM-110/120/135/150/160
40	34000012	Dado M12 PG UNI 5587	Nut M12 PG UNI 5587	Mutter M12 PG UNI 5587	Ecrou M12 PG UNI 5587
41	34021012	Rondella grower ø 12 UNI 1751	Washer ø 12 UNI 1751	Scheibe ø 12 UNI 1751	Rondelle ø 12 UNI 1751
42	30212035	Vite M12x1,75x35 UNI 5739	Screw M12x1,75x35 UNI 5739	Schraube M12x1,75x35 UNI 5739	Vis M12x1,75x35 UNI 5739
43	4728336	Ingranaggio conduttore Z=21	Driving gear Z=21	Zanhrad Z=21	Engrenage Z=21
44	2006309	Cuscinetto 6309	Bearing 6309	Lager 6309	Roulement 6309
45	6204572	Paraolio ø 45x72x10 PP	Oil seal ø 45x72x10 PP	Oelabdichtung ø 45x72x10 PP	Pare-huile ø 45x72x10 PP
46	4217824	Albero corona SM-110	Shaft SM-110	Welle SM-110	Arbre SM-110
46	4217825	Albero corona SM-120	Shaft SM-120	Welle SM-120	Arbre SM-120
46	4217901	Albero corona SM-135	Shaft SM-135	Welle SM-135	Arbre SM-135
46	4217902	Albero corona SM-150	Shaft SM-150	Welle SM-150	Arbre SM-150
46	4217903	Albero corona SM-160	Shaft SM-160	Welle SM-160	Arbre SM-160
46	4217904	Albero corona SM-185	Shaft SM-185	Welle SM-185	Arbre SM-185
46	4217905	Albero corona SM-210	Shaft SM-210	Welle SM-210	Arbre SM-210
46	4217906	Albero corona SM-235	Shaft SM-235	Welle SM-235	Arbre SM-235
47	4788693	Guarnizione supp. esterno	Gasket	Dichtung	Garniture
48	30212030	Vite M12x1,75x30 UNI 5739	Screw M12x1,75x30 UNI 5739	Schraube M12x1,75x30 UNI 5739	Vis M12x1,75x30 UNI 5739
49	4007821	Supporto lato esterno SM-110	External support SM-110	Halterung SM-110	Support SM-110
49	4007822	Supporto lato esterno SM-120	External support SM-120	Halterung SM-120	Support SM-120
49	4007956	Supporto lato esterno SM-135	External support SM-135	Halterung SM-135	Support SM-135
49	4007957	Supporto lato esterno SM-150	External support SM-150	Halterung SM-150	Support SM-150
49	4007958	Supporto lato esterno SM-160	External support SM-160	Halterung SM-160	Support SM-160
49	4007959	Supporto lato esterno SM-185	External support SM-185	Halterung SM-185	Support SM-185
49	4007960	Supporto lato esterno SM-210	External support SM-210	Halterung SM-210	Support SM-210
49	4007961	Supporto lato esterno SM-235	External support SM-235	Halterung SM-235	Support SM-235
50	6802075	Guarnizione OR 616	O.Ring 616	O.Ring 616	Bague d'etaincheite 616
51	3441022	Tappo olio M22x1,5	Oil plug M22x1,5	Oelstopfen M22x1,5	Bouchon de l'huile M22x1,5
52	6330536	Spina elastica ø 5x36	Split pin ø 5x36	Splint ø 5x36	Coupille ø 5x36
53	34120010	Rondella piana ø 10 UNI 6592	Washer ø 10 UNI 6592	Scheibe ø 10 UNI 6592	Rondelle ø 10 UNI 6592
54	30210030	Vite M10x1,5x30 UNI 5739	Screw M10x1,5x30 UNI 5739	Schraube M10x1,5x30 UNI 5739	Vis M10x1,5x30 UNI 5739
55	6470118	Rondella alluminio ø 22	Washer ø 22	Scheibe ø 22	Rondelle ø 22
56	30210035	Vite M10x1,5x35 UNI 5739	Screw M10x1,5x35 UNI 5739	Schraube M10x1,5x35 UNI 5739	Vis M10x1,5x35 UNI 5739
57	4937914	Attacco gancio sollevam. SM-185/210/235	Lifting hook connection SM-185/210/235	Anschluss Hubhacken SM-185/210/235	Connexion crochet de levage SM-185/210/235

Type: FRESATRICE**Mod.: SM****Rev.: 01/2005****Tab: 3/6****Pag. 1/1**

RIF.	CODICE	DENOMINAZIONE	DESCRIPTION	BENENNUNG	DESIGNATION
1	4007796	Supp. cuscinetto anteriore	Support	Halterung	Support
2	6100072	Cappello di chiusura ø 72	Cover ø 72	Deckel ø 72	Couvercle ø 72
3	34127040	Ghiera autobl. ø 40x1,5 GUP	Self looking nut ø 40x1,5 GUP	Selbstperrendmutter ø 40x1,5 GUP	Collier autobl. ø 40x1,5 GUP
4	34127035	Ghiera autobl. ø 35x1,5 GUP	Self looking nut ø 35x1,5 GUP	Selbstperrendmutter ø 35x1,5 GUP	Collier autobl. ø 35x1,5 GUP
5	6203572	Paraolio ø 35x72x10 PP	Oil seal ø 35x72x10 PP	Oelabdichtung ø 35x72x10 PP	Pare-huile ø 35x72x10 PP
6	4227795	Albero PTO rot. Sx	Shaft	Welle	Arbre
7	6310072	Seeger I ø 72	Circlip I ø 72	Seegersicherung I ø 72	Bague d'arrêt I ø 72
8	4657745	Carter coppia conica rot. Sx	Gearbox	Carter	Carter
9	4657744	Carter coppia conica	Gearbox	Carter	Carter
10	3442018	Tappo valvola M18x1,5	Plug M18x1,5	Auspuffpfropfen M18x1,5	Bouchon M18x1,5
11	4599031	Boccola distanziale	Bushing	Buchse	Douille
12	2106207	Cuscinetto 6207	Bearing 6207	Lager 6207	Roulement 6207
13	4227742	Albero presa di forza	Shaft	Welle	Arbre
14	3441018	Tappo conico olio M18x1,5	Plug M18x1,5	Auspuffpfropfen M18x1,5	Bouchon M18x1,5
15	4788219	Guarnizione	Gasket	Dichtung	Garniture
16	4647745	Coperchio fermo pignone	Cover	Deckel	Couvercle
17	34021012	Rondella grower ø 12 UNI 1751	Washer ø 12 UNI 1751	Scheibe ø 12 UNI 1751	Rondelle ø 12 UNI 1751
18	30212030	Vite M12x1,75x30 UNI 5739	Screw M12x1,75x30 UNI 5739	Schraube M12x1,75x30 UNI 5739	Vis M12x1,75x30 UNI 5739
19	30210025	Vite M10x1,5x25 UNI 5739	Screw M10x1,5x25 UNI 5739	Schraube M10x1,5x25 UNI 5739	Vis M10x1,5x25 UNI 5739
20	34021010	Rondella grower ø 10 UNI 1751	Washer ø 10 UNI 1751	Scheibe ø 10 UNI 1751	Rondelle ø 10 UNI 1751
21	4007963	Supp. albero corona SM-sc-135	Support SM-sc-135	Halterung SM-sc-135	Support SM-sc-135
21	4007964	Supp. albero corona SM-sc-150	Support SM-sc-150	Halterung SM-sc-150	Support SM-sc-150
21	4007965	Supp. albero corona SM-sc-160	Support SM-sc-160	Halterung SM-sc-160	Support SM-sc-160
21	4007966	Supp. albero corona SM-sc-185	Support SM-sc-185	Halterung SM-sc-185	Support SM-sc-185
21	4007967	Supp. albero corona SM-sc-210	Support SM-sc-210	Halterung SM-sc-210	Support SM-sc-210
21	4007968	Supp. albero corona SM-sc-235	Support SM-sc-235	Halterung SM-sc-235	Support SM-sc-235
22	4728643	Pignone conico Z=15	Pinion Z=15	Ritzel Z=15	Pignon conique Z=15
23	2030308	Cuscinetto 30308	Bearing 30308	Lager 30308	Roulement 30308
24	4728642	Corona conica Z=22	Ring bevel gear Z=22	Kegelradkranz Z=22	Couronne conique Z=22
25	6320045	Seeger E ø 45	Circlip E ø 45	Seegersicherung E ø 45	Bague d'arrêt E ø 45
26	4148067	Piastra att. catena SM-135/150/160	Chain plate SM-135/150/160	Metallplatte SM-135/150/160	Plaque chaine SM-135/150/160
27	4788413	Guarnizione lato corona	Gasket	Dichtung	Garniture
28	2006311	Cuscinetto 6311	Bearing 6311	Lager 6311	Roulement 6311
29	30210030	Vite M10x1,75x30 UNI 5739	Screw M10x1,75x30 UNI 5739	Schraube M10x1,75x30 UNI 5739	Vis M10x1,75x30 UNI 5739
30	34000012	Dado M12 PG UNI 5587	Nut M12 PG UNI 5587	Mutter M12 PG UNI 5587	Ecrou M12 PG UNI 5587
31	30212040	Vite M12x1,75x40 UNI 5739	Screw M12x1,75x40 UNI 5739	Schraube M12x1,75x40 UNI 5739	Vis M12x1,75x40 UNI 5739
32	4728336	Ingranaggio conduttore Z=21	Driving gear Z=21	Zahnrad Z=21	Engrenage Z=21
33	2006309	Cuscinetto 6309	Bearing 6309	Lager 6309	Roulement 6309
34	6204572	Paraolio ø 45x72x10 PP	Oil seal ø 45x72x10 PP	Oelabdichtung ø 45x72x10 PP	Pare-huile ø 45x72x10 PP
35	4217908	Albero corona SM-sc-135	Shaft SM-sc-135	Welle SM-sc-135	Arbre SM-sc-135
35	4217909	Albero corona SM-sc-150	Shaft SM-sc-150	Welle SM-sc-150	Arbre SM-sc-150
35	4217910	Albero corona SM-sc-160	Shaft SM-sc-160	Welle SM-sc-160	Arbre SM-sc-160
35	4217911	Albero corona SM-sc-185	Shaft SM-sc-185	Welle SM-sc-185	Arbre SM-sc-185
35	4217912	Albero corona SM-sc-210	Shaft SM-sc-210	Welle SM-sc-210	Arbre SM-sc-210
35	4217913	Albero corona SM-sc-235	Shaft SM-sc-235	Welle SM-sc-235	Arbre SM-sc-235
36	4788693	Guarnizione lato trasmissione	Gasket	Dichtung	Garniture
37	4007956	Supporto lato esterno SM-135	External support SM-135	Halterung SM-135	Support SM-135
37	4007957	Supporto lato esterno SM-150	External support SM-150	Halterung SM-150	Support SM-150
37	4007958	Supporto lato esterno SM-160	External support SM-160	Halterung SM-160	Support SM-160
37	4007959	Supporto lato esterno SM-185	External support SM-185	Halterung SM-185	Support SM-185
37	4007960	Supporto lato esterno SM-210	External support SM-210	Halterung SM-210	Support SM-210
37	4007961	Supporto lato esterno SM-235	External support SM-235	Halterung SM-235	Support SM-235
38	6470117	Rondella alluminio ø 18	Washer ø 18	Scheibe ø 18	Rondelle ø 18
39	4937914	Attacco gancio sollevam. SM-185/210/235	Lifting hook connection SM-185/210/235	Anschluss Hubhacken SM-185/210/235	Connexion crochet de levage SM-185/210/235
40	4937912	Piastra distanziale supporto est.	Plate	Platte	Plaque

Type: FRESATRICE**Mod.: SM****Rev.: 01/2005****Tab: 4/6****Pag. 1/1**

RIF.	CODICE	DENOMINAZIONE	DESCRIPTION	BENENNUNG	DESIGNATION
1	34106012	Dado autobloc. M12 PG alto	Self locking nut M12 PG	Selbstsperrendmutter M12 PG	Ecrou autobloquant M12 PG
2	4007601	Piastra attacco snodo dx	Plate	Platte	Plaque
3	31512035	Vite M12x1,75x35 UNI 5739	Screw M12x1,75x35 UNI 5739	Schraube M12x1,75x35 UNI 5739	Vis M12x1,75x35 UNI 5739
4	4007602	Piastra attacco snodo sx	Plate	Platte	Plaque
5	6350010	Spina a scatto ø 10x58	Release pin ø 10x58	Splint schnapper ø 10x58	Broche de sûreté ø 10x58
6	4678001	Catena coperchio 14 maglie	Chain	Kette	Chaîne
7	4302183	Gancio per catena	Chain plate	Metalplatte	Plaque chaîne
8	4212214	Molla ammortizzatore	Spring	Feder	Ressort
9	4007633	Rullo a spuntone SM-160	Spike roller SM-160	Zahnwalze SM-160	Rouleau à dents SM-160
9	4007635	Rullo a spuntone SM-185	Spike roller SM-185	Zahnwalze SM-185	Rouleau à dents SM-185
9	4007636	Rullo a spuntone SM-210	Spike roller SM-210	Zahnwalze SM-210	Rouleau à dents SM-210
9	4007637	Rullo a spuntone SM-235	Spike roller SM-235	Zahnwalze SM-235	Rouleau à dents SM-235
10	4007614	Protezione lato esterno	Protection	Schutz	Protection
11	4007612	Braccio registro 19/280	Arm 19/280	Arm 19/280	Bras 19/280
12	6351004	Copiglia a "R" ø 4x80	Split pin "R" ø 4x80	Splint "R" ø 4x80	Coupille "R" ø 4x80
13	34121012	Rondella grower ø 12 UNI 1751	Washer ø 12 UNI 1751	Scheibe ø 12 UNI 1751	Rondelle ø 12 UNI 1751
14	34120012	Rondella piana ø 12 UNI 6592	Washer ø 12 UNI 6592	Scheibe ø 12 UNI 6592	Rondelle ø 12 UNI 6592
15	34100012	Dado M 12 PG UNI 5587	Nut M12 PG UNI 5587	Mutter M12 PG UNI 5587	Ecrou M12 PG UNI 5587
16	4934778	Gancio catena SM-185/210/230	Chain plate SM-185/210/230	Metalplatte SM-185/210/230	Plaque chaîne SM-185/210/230
17	34100014	Dado M14 PG UNI 5587	Nut M14 PG UNI 5587	Mutter M14 PG UNI 5587	Ecrou M14 PG UNI 5587
18	4232111	Perno laterale coperchio	Pin	Bolzen	Axe
19	4304003	Perno fissaggio tirante	Pin	Bolzen	Axe
20	4232106	Perno coperchio SM-160	Pin SM-160	Bolzen SM-160	Axe SM-160
20	4232107	Perno coperchio SM-185	Pin SM-185	Bolzen SM-185	Axe SM-185
20	4232108	Perno coperchio SM-210	Pin SM-210	Bolzen SM-210	Axe SM-210
20	4237901	Perno coperchio SM-235	Pin SM-235	Bolzen SM-235	Axe SM-235
21	34106014	Dado autobloc. M14 PG alto	Self locking nut M14 PG	Selbstsperrendmutter M14 PG	Ecrou autobloquant M14 PG
22	6560010	Ingrassatore M10x1,5	Grease nipple M10x1,5	Schmiernippel M10x1,5	Graisseur M10x1,5
23	34000012	Dado M12 PG UNI 5587	Nut M12 PG UNI 5587	Mutter M12 PG UNI 5587	Ecrou M12 PG UNI 5587
24	6330636	Spina elastica	Split pin	Splint	Goupille elastique
25	31514035	Vite M14x2x35 UNI 5739	Screw M14x2x35 UNI 5739	Schraube M14x2x35 UNI 5739	Vis M14x2x35 UNI 5739
26	4007972	Coperchio corto tipo "B" SM-160	Bonnet SM-160	Deckel SM-160	Capot SM-160
26	4007973	Coperchio corto tipo "B" SM-185	Bonnet SM-185	Deckel SM-185	Capot SM-185
26	4007974	Coperchio corto tipo "B" SM-210	Bonnet SM-210	Deckel SM-210	Capot SM-210
27	4007616	Staffa fissaggio rullo	Bracket	Pratze	Bride
28	30212030	Vite M12x1,75x30 UNI 5739	Screw M12x1,75x30 UNI 5739	Schraube M12x1,75x30 UNI 5739	Vis M12x1,75x30 UNI 5739
29	4007607	Telaio rullo SM-160	Frame SM-160	Gestell SM-160	Cadre SM-160
29	4007609	Telaio rullo SM-185	Frame SM-185	Gestell SM-185	Cadre SM-185
29	4007610	Telaio rullo SM-210	Frame SM-210	Gestell SM-210	Cadre SM-210
29	4007611	Telaio rullo SM-235	Frame SM-235	Gestell SM-235	Cadre SM-235
30	34021012	Rondella grower ø 12 UNI 1751	Washer ø 12 UNI 1751	Scheibe ø 12 UNI 1751	Rondelle ø 12 UNI 1751
31	4007615	Raschiarullo	Scraper	Schrapper	Râclette
32	2106207	Cuscinetto 6207	Bearing 6207	Lager 6207	Roulement 6207
33	6310072	Seeger I ø 72	Circlip I ø 72	Seegersicherung I ø 72	Bague d'arrêt I ø 72
34	34019012	Rondella piana ø 13x48 fascia larga	Washer ø 13x48	Scheibe ø 13x48	Rondelle ø 13x48
35	6204200	Gruppo GNL MF.4200	Oil seal GNL MF.4200	Oelabdichtung GNL MF.4200	Pare-huile GNL MF.4200
36	4705001	Supporto cuscinetto	Support	Halterung	Support
37	4007613	Protezione carter trasmissione	Protection	Schutz	Protection
38	34121014	Rondella grower ø 14 UNI 1751	Washer ø 14 UNI 1751	Scheibe ø 14 UNI 1751	Rondelle ø 14 UNI 1751
39	4007978	Cop. corto tipo "B" SM-sc-160	Bonnet SM-sc-160	Deckel SM-sc-160	Capot SM-sc-160
40	4002134	Braccio laterale	Arm	Arm	Bras
41	30214030	Vite M14x2x30 UNI 5739	Screw M14x2x30 UNI 5739	Schraube M14x2x30 UNI 5739	Vis M14x2x30 UNI 5739
42	34021014	Rondella grower ø 14 UNI 1751	Washer ø 14 UNI 1751	Scheibe ø 14 UNI 1751	Rondelle ø 14 UNI 1751
43	4007975	Coperchio corto tipo "B" SM-235 Dx	Right cover SM-235	Rechtes deckel SM-235	Couvercle droit SM-235
44	4007976	Coperchio corto tipo "B" SM-235 Sx	Left cover SM-235	Linkes deckel SM-235	Couvercle gauche SM-235

Type: FRESATRICE**Mod.: SM****Rev.: 01/2005****Tab: 5/6****Pag. 1/1**

RIF.	CODICE	DENOMINAZIONE	DESCRIPTION	BENENNUNG	DESIGNATION
1	34106012	Dado autobloc. M12 PG alto	Self locking nut M12 PG	Selbstsperrendmutter M12 PG	Ecrou autobloquant M12 PG
2	4007601	Piastra attacco snodo dx	Plate	Platte	Plaque
3	31512035	Vite M12x1,75x35 UNI 5739	Screw M12x1,75x35 UNI 5739	Schraube M12x1,75x35 UNI 5739	Vis M12x1,75x35 UNI 5739
4	4007602	Piastra attacco snodo sx	Plate	Platte	Plaque
5	6350010	Spina a scatto ø 10x58	Release pin ø 10x58	Splint schnapper ø 10x58	Broche de sûreté ø 10x58
6	4678001	Catena coperchio 14 maglie	Chain	Kette	Chaîne
7	4302183	Gancio per catena	Chain plate	Metalplatte	Plaque chaîne
8	4212214	Molla ammortizzatore	Spring	Feder	Ressort
9	4007618	Rullo a gabbia SM-160	Roller SM-160	Rolle SM-160	Rouleau SM-160
9	4007619	Rullo a gabbia SM-185	Roller SM-185	Rolle SM-185	Rouleau SM-185
9	4007620	Rullo a gabbia SM-210	Roller SM-210	Rolle SM-210	Rouleau SM-210
9	4007621	Rullo a gabbia SM-235	Roller SM-235	Rolle SM-235	Rouleau SM-235
10	4007614	Protezione lato esterno	Protection	Schutz	Protection
11	4007612	Braccio registro 19/280	Arm 19/280	Arm 19/280	Bras 19/280
12	6351004	Copiglia a "R" ø 4x80	Split pin "R" ø 4x80	Splint "R" ø 4x80	Coupille "R" ø 4x80
13	34121012	Rondella grower ø 12 UNI 1751	Washer ø 12 UNI 1751	Scheibe ø 12 UNI 1751	Rondelle ø 12 UNI 1751
14	34120012	Rondella piana ø 12 UNI 6592	Washer ø 12 UNI 6592	Scheibe ø 12 UNI 6592	Rondelle ø 12 UNI 6592
15	34100012	Dado M 12 PG UNI 5587	Nut M12 PG UNI 5587	Mutter M12 PG UNI 5587	Ecrou M12 PG UNI 5587
16	4934778	Gancio catena SM-185/210/230	Chain plate SM-185/210/230	Metalplatte SM-185/210/230	Plaque chaîne SM-185/210/230
17	30210010	Vite M10x1,5x10 UNI 5739	Screw M10x1,5x10 UNI 5739	Schraube M10x1,5x10 UNI 5739	Vis M10x1,5x10 UNI 5739
18	4232111	Perno laterale coperchio	Pin	Bolzen	Axe
19	4304003	Perno fissaggio tirante	Pin	Bolzen	Axe
20	34021010	Rondella grower ø 10 UNI 1751	Washer ø 10 UNI 1751	Scheibe ø 10 UNI 1751	Rondelle ø 10 UNI 1751
21	34106014	Dado autobloc. M14 PG alto	Self locking nut M14 PG	Selbstsperrendmutter M14 PG	Ecrou autobloquant M14 PG
22	6560006	Ingrassatore M6x1	Grease nipple M6x1	Schmiernippel M6x1	Graisseur M6x1
23	34000014	Dado M14 PG UNI 5587	Nut M14 PG UNI 5587	Mutter M14 PG UNI 5587	Ecrou M14 PG UNI 5587
24	6330636	Spina elastica	Split pin	Splint	Goupille elastique
25	31514035	Vite M14x2x35 UNI 5739	Screw M14x2x35 UNI 5739	Schraube M14x2x35 UNI 5739	Vis M14x2x35 UNI 5739
26	4007972	Coperchio corto tipo "B" SM-160	Bonnet SM-160	Deckel SM-160	Capot SM-160
26	4007973	Coperchio corto tipo "B" SM-185	Bonnet SM-185	Deckel SM-185	Capot SM-185
26	4007974	Coperchio corto tipo "B" SM-210	Bonnet SM-210	Deckel SM-210	Capot SM-210
27	4007616	Staffa fissaggio rullo	Bracket	Pratze	Bride
28	4594007	Distanziale rullo a gabbia	Spacer	Abstandstück	Entretoise
29	4007622	Telaio rullo SM-160	Frame SM-160	Gestell SM-160	Cadre SM-160
29	4007623	Telaio rullo SM-185	Frame SM-185	Gestell SM-185	Cadre SM-185
29	4007624	Telaio rullo SM-210	Frame SM-210	Gestell SM-210	Cadre SM-210
29	4007625	Telaio rullo SM-235	Frame SM-235	Gestell SM-235	Cadre SM-235
30	30214040	Vite M14x2x40 UNI 5739	Screw M14x2x40 UNI 5739	Schraube M14x2x40 UNI 5739	Vis M14x2x40 UNI 5739
31	2000035	Supporto UCF-207	Support	Halterung	Support
32	4007613	Protezione carter trasmissione	Protection	Schutz	Protection
33	34121014	Rondella grower ø 14 UNI 1751	Washer ø 14 UNI 1751	Scheibe ø 14 UNI 1751	Rondelle ø 14 UNI 1751
34	4002134	Braccio laterale	Arm	Arm	Bras
35	34021014	Rondella grower ø 14 UNI 1751	Washer ø 14 UNI 1751	Scheibe ø 14 UNI 1751	Rondelle ø 14 UNI 1751
36	4007975	Coperchio corto tipo "B" SM-235 Dx	Right cover SM-235	Rechtes deckel SM-235	Couvercle droit SM-235
37	4007976	Coperchio corto tipo "B" SM-235 Sx	Left cover SM-235	Linkes deckel SM-235	Couvercle gauche SM-235
38	4007978	Cop. corto tipo "B" SM-sc-160	Bonnet SM-sc-160	Deckel SM-sc-160	Capot SM-sc-160
39	4232106	Perno coperchio SM-160	Pin SM-160	Bolzen SM-160	Axe SM-160
39	4232107	Perno coperchio SM-185	Pin SM-185	Bolzen SM-185	Axe SM-185
39	4232108	Perno coperchio SM-210	Pin SM-210	Bolzen SM-210	Axe SM-210
39	4237901	Perno coperchio SM-235	Pin SM-235	Bolzen SM-235	Axe SM-235
40	34100014	Dado M14 PG UNI 5587	Nut M14 PG UNI 5587	Mutter M14 PG UNI 5587	Ecrou M14 PG UNI 5587

Type: FRESATRICE

Mod.: SM

Rev.: 01/2005

Tab: 6/6

Pag. 1/1

RIF.	CODICE	DENOMINAZIONE	DESCRIPTION	BENENNUNG	DESIGNATION
1	4007852	Attacco ruotino	Wheel connection	Anschluss Rädchen	Connexion roulette
2	4007854	Supporto ruotino Dx	Support	Halterung	Support
3	4007855	Supporto ruotino Sx	Support	Halterung	Support
4	4838290	Piastra attacco ruotino	Plate	Platte	Plaque
5	31414060	Vite M14x1,5x60 UNI 5738	Screw M14x1,5x60 UNI 5738	Schraube M14x1,5x60 UNI 5738	Vis M14x1,5x60 UNI 5738
6	34121014	Rondella grower ø 14 UNI 1751	Washer ø 14 UNI 1751	Scheibe ø 14 UNI 1751	Rondelle ø 14 UNI 1751
7	34101014	Dado M14 PF UNI 5587	Nut M14 PF UNI 5587	Mutter M14 PF UNI 5587	Ecrou M14 PF UNI 5587
8	6351003	Coppiglia a "R" ø 3x60	Split pin "R" ø 3x60	Splint "R" ø 3x60	Goupille "R" ø 3x60
9	4236115	Perno bloccaggio piedino	Pin	Bolzen	Axe
10	6600052	Coppetta ø 52	Cap ø 52	Abschlusskappe ø 52	Couvercle ø 52
11	34107018	Dado autobloc. M18 PF alto	Self locking nut M18 PF	Nutmutter M18 PF	Ecrou autobloquant M18 PF
12	34120018	Rondella piana ø 18 UNI 6592	Washer ø 18 UNI 6592	Scheibe ø 18 UNI 6592	Rondelle ø 18 UNI 6592
13	2106205	Cuscinetto 6205	Bearing 6205	Lager 6205	Roulement 6205
14	6611280	Ruota ferro 280 x 120 (6205)	Wheel 280 x 120 (6205)	Rad 280 x 120 (6205)	Roue 280 x 120 (6205)
15	2226205	Cuscinetto 6205 2RS	Bearing 6205 2RS	Lager 6205 2RS	Roulement 6205 2RS
16	34018024	Rosetta piana 25x51x5	Washer 25x51x5	Scheibe 25x51x5	Rondelle 25x51x5