

TAV. 1 - TRINCIATUTTO SPOSTABILE Mod. TMX 095 • 110 • 125 • 140 • 155 • 185

RIF.	CODICE	DENOMINAZIONE	DESCRIPTION	BENENNUNG	DESIGNATION
1	34120008	Rondella piana ø 8 UNI 6592	Washer ø 8 UNI 6592	Scheibe ø 8 UNI 6592	Rondelle ø 8 UNI 6592
2	6351004	Spina a "R" ø 4	Split pin ø 4	Splint ø 4	Goupille ø 4
3	5005764	Arco fisso	Fixed arc	Fester bogen	Arc fixe
4	4301589	Perno 3° punto superiore	Pin	Bolzen	Axe
5	5005763	Arco mobile	Mobile arc	Beweglicher bogen	Arc mobile
6	1001106	Albero TMX-095•110	Shaft TMX-095•110	Welle TMX-095•110	Arbre TMX-095•110
6	1001107	Albero TMX-125•140	Shaft TMX-125•140	Welle TMX-125•140	Arbre TMX-125•140
6	1001108	Albero TMX-155•185	Shaft TMX-155•185	Welle TMX-155•185	Arbre TMX-155•185
7	5135757	Protezione TMX-095•110	Protection TMX-095•110	Schutz TMX-095•110	Protection TMX-095•110
7	5135758	Protezione TMX-125•140	Protection TMX-125•140	Schutz TMX-125•140	Protection TMX-125•140
7	5135759	Protezione TMX-155•185	Protection TMX-155•185	Schutz TMX-155•185	Protection TMX-155•185
8	6361035	Chiavetta 10x35x8 UNI 6604	Key	Keil	Clavette
9	6900015	Moltiplicatore T-310J	Overgear	Uebersetzungsgetriebe	Multiplicateur
10	34100012	Dado M12 PG UNI 5587 Z.	Nut M12 PG UNI 5587	Mutter M12 PG UNI 5587	Ecrou M12 PG UNI 5587
11	34121012	Rondella grower ø 12 UNI 1751 Z.	Washer ø 12 UNI 1751	Scheibe ø 12 UNI 1751	Rondelle ø 12 UNI 1751
12	4534002	Distanziale	Spacer	Distanzstück	Entretoise
13	1883510	Protezione giunto	Protection	Schutz	Protection
14	6037683	Innesto rapido 1/2" M	Quick release 1/2" M	Schnellverschluss 1/2" M	Joint d'étanchéité 1/2" M
15	6037012	Rondella di alluminio 1/2"	Washer 1/2"	Scheibe 1/2"	Rondelle 1/2"
16	6037390	Nipples 3/8" - 1/2"	Nipple 3/8" - 1/2"	Nipple 3/8" - 1/2"	Nipple 3/8" - 1/2"
17	34106024	Dado aut. M24 PG UNI 7473	Self locking nut M24 PG UNI 7473	Nutmutter M24 PG UNI 7473	Ecrou autobloquant M24 PG UNI 7473
18	34106010	Dado aut. M10 PG alto UNI 7473	Self locking nut M10 PG UNI 7473	Nutmutter M10 PG UNI 7473	Ecrou autobloquant M10 PG UNI 7473
19	2020035	Supporto ovale FYTB 35 FM/207	Support FYTB 35 FM/207	Halterung FYTB 35 FM/207	Support FYTB 35 FM/207
20	30016090	Vite M16x2x90 UNI 5737 N.	Screw M16x2x90 UNI 5737	Schraube M16x2x90 UNI 5737	Vis M16x2x90 UNI 5737
21	30212025	Vite M12x1,75x25 UNI 5739 N.	Screw M12x1,75x25 UNI 5739	Schraube M12x1,75x25 UNI 5739	Vis M12x1,75x25 UNI 5739
22	34106016	Dado aut. M16 PG alto UNI 7473 Z.	Self locking nut M16 PG UNI 7473	Nutmutter M16 PG UNI 7473	Ecrou autobloquant M16 PG UNI 7473
23	64126150	Tube R1 AT 3/8" FD+occhio L= 1500	Hose 3/8" L=1500	Schlauch 3/8" L=1500	Tuyau 3/8" L=1500
24	6350010	Spina a scatto ø 10	Linch pin ø 10	Klappsplint ø 10	Goujon de sûreté ø 10
25	6421904	Vite forata 3/8"	Screw 3/8"	Schraube 3/8"	Vis 3/8"
26	4301101	Perno 3° punto inferiore	Pin	Bolzen	Axe
27	34120010	Rondella piana ø 10 UNI 6592 Z.	Washer ø 10 UNI 6592	Scheibe ø 10 UNI 6592	Rondelle ø 10 UNI 6592
28	6104062	Paraolio 40x62x10 GM	Oil seal	Oelabdichtung	Pare-huile
29	31508016	Vite M8x1,25x16 UNI 5739 Z.	Screw M8x1,25x16 UNI 5739	Schraube M8x1,25x16 UNI 5739	Vis M8x1,25x16 UNI 5739
30	5005742	Compl. martinetto meccanico	Complete cylinder	Komplet winde	Verin complet
31	6470038	Rondella rame 3/8"	Washer 3/8"	Scheibe 3/8"	Rondelle 3/8"
32	41308040	Vite M8x1,25x40 UNI 5737 Z.	Screw M8x1,25x40 UNI 5737	Schraube M8x1,25x40 UNI 5737	Vis M8x1,25x40 UNI 5737
33	5305143	Perno 3° punto inferiore	Pin	Bolzen	Axe
34	5005701	Scocca TMX-095	Frame TMX-095	Gestell TMX-095	Cadre TMX-095
34	5005702	Scocca TMX-110	Frame TMX-110	Gestell TMX-110	Cadre TMX-110
34	5005703	Scocca TMX-125	Frame TMX-125	Gestell TMX-125	Cadre TMX-125
34	5005704	Scocca TMX-140	Frame TMX-140	Gestell TMX-140	Cadre TMX-140
34	5005705	Scocca TMX-155	Frame TMX-155	Gestell TMX-155	Cadre TMX-155
34	5005706	Scocca TMX-185	Frame TMX-185	Gestell TMX-185	Cadre TMX-185
35	34118008	Rondella piana ø 8 fascia larga Z. UNI 6593	Washer ø 8 UNI 6593	Scheibe ø 8 UNI 6593	Rondelle ø 8 UNI 6593
36	34106008	Dado aut. M8 PG alto UNI 7473 Z.	Self locking nut M8 PG UNI 7473	Nutmutter M8 PG UNI 7473	Ecrou autobloquant M8 PG UNI 7473
37	6036216	Guarnizione OR 120	O.Ring 120	O.Ring 120	Bague d'étanchéité 120
38	6038320	Raschiatore WRM 078110	Oil scraper WRM 078110	Abstreifring WRM 078110	Bague de reilage WRM 078110
39	34000012	Dado M12 UNI 5587 N.	Nut M12 UNI 5587	Mutter M12 UNI 5587	Ecrou M12 UNI 5587
40	5535707	Boccola TMX-110•125	Bushing TMX-110•125	Büchse TMX-110•125	Douille TMX-110•125
41	6036829	Guarnizione OR 829	O.Ring 829	O.Ring 829	Bague d'étanchéité 829
42	6038340	Raschiatore WRM 137169	Oil scraper WRM 137169	Abstreifring WRM 137169	Bague de reilage WRM 137169
43	33710096	Vite occhio M10 L=96	Screw M10 L=96	Schraube M10 L=96	Vis M10 L=96
44	31512035	Vite M12x1,75x35 UNI 5739 Z.	Screw M12x1,75x35 UNI 5739	Schraube M12x1,75x35 UNI 5739	Vis M12x1,75x35 UNI 5739
45	5005762	Stelo con pistone	Rod	Stange	Tige
46	5532112	Distanziale 3° punto superiore	Spacer	Abstandstück	Entretoise
47	4641401	Ghiera	Plug	Gewinding	Virole
48	6038020	Guarnizione B 129098/1	Seal B 129098/1	Dichtung B 129098/1	Garniture B 129098/1
49	6560008	Ingrassatore a punta M8x1,25	Grease nipple M8x1,25	Schmiernipple M8x1,25	Graisseur M8x1,25
50	5785702	Boccola di scorrimento	Bushing	Buchse	Douille
51	5425702	Albero cromato TMX-110•125	Shaft TMX-110•125	Welle TMX-110•125	Arbre TMX-110•125
51	5425703	Albero cromato TMX-140•155•185	Shaft TMX-140•155•185	Welle TMX-140•155•185	Arbre TMX-140•155•185
52	4147552	Chiusura	Lock	Verschluss	Fermeture
53	5005707	Sportello TMX-095	Bonnet TMX-095	Haube TMX-095	Capot TMX-095
53	5005708	Sportello TMX-110	Bonnet TMX-110	Haube TMX-110	Capot TMX-110
53	5005709	Sportello TMX-125	Bonnet TMX-125	Haube TMX-125	Capot TMX-125
53	5005710	Sportello TMX-140	Bonnet TMX-140	Haube TMX-140	Capot TMX-140
53	5005711	Sportello TMX-155	Bonnet TMX-155	Haube TMX-155	Capot TMX-155
53	5005712	Sportello TMX-185	Bonnet TMX-185	Haube TMX-185	Capot TMX-185
54	31510025	Vite M10x1,5x25 UNI 5739 Z.	Screw M10x1,5x25 UNI 5739	Schraube M10x1,5x25 UNI 5739	Vis M10x1,5x25 UNI 5739
55	5235701	Perno per palette TMX-095	Pin TMX-095	Bolzen TMX-095	Axe TMX-095
55	5235702	Perno per palette TMX-110	Pin TMX-110	Bolzen TMX-110	Axe TMX-110
55	5235703	Perno per palette TMX-125	Pin TMX-125	Bolzen TMX-125	Axe TMX-125
55	5235704	Perno per palette TMX-140	Pin TMX-140	Bolzen TMX-140	Axe TMX-140
55	5235705	Perno per palette TMX-155	Pin TMX-155	Bolzen TMX-155	Axe TMX-155
55	5235706	Perno per palette TMX-185	Pin TMX-185	Bolzen TMX-185	Axe TMX-185
56	34021010	Rondella grower ø 10 UNI 1751 N.	Washer ø 10 UNI 1751	Scheibe ø 10 UNI 1751	Rondelle ø 10 UNI 1751
57	6600062	Coppetta zincata	Lock	Verschluss	Fermeture
58	6310055	Seeger	Circlip	Seegersicherung	Bague d'arrêt
59	5005761	Camicia	Cylinder	Zylinder	Cylindre
60	5005767	Martinetto spostamento TMX-110•125	Complete cylinder TMX-110•125	Komplet winde TMX-110•125	Verin complet TMX-110•125
60	5005760	Martinetto spostamento TMX-140•155•185	Complete cylinder TMX-140•155•185	Komplet winde TMX-140•155•185	Verin complet TMX-140•155•185
61	6038280	Guarnizione DBM 137098	Seal DBM 137098	Dichtung DBM 137098	Garniture DBM 137098
62	34121016	Rondella grower ø 16 UNI 1751 Z.	Washer ø 16 UNI 1751	Scheibe ø 16 UNI 1751	Rondelle ø 16 UNI 1751

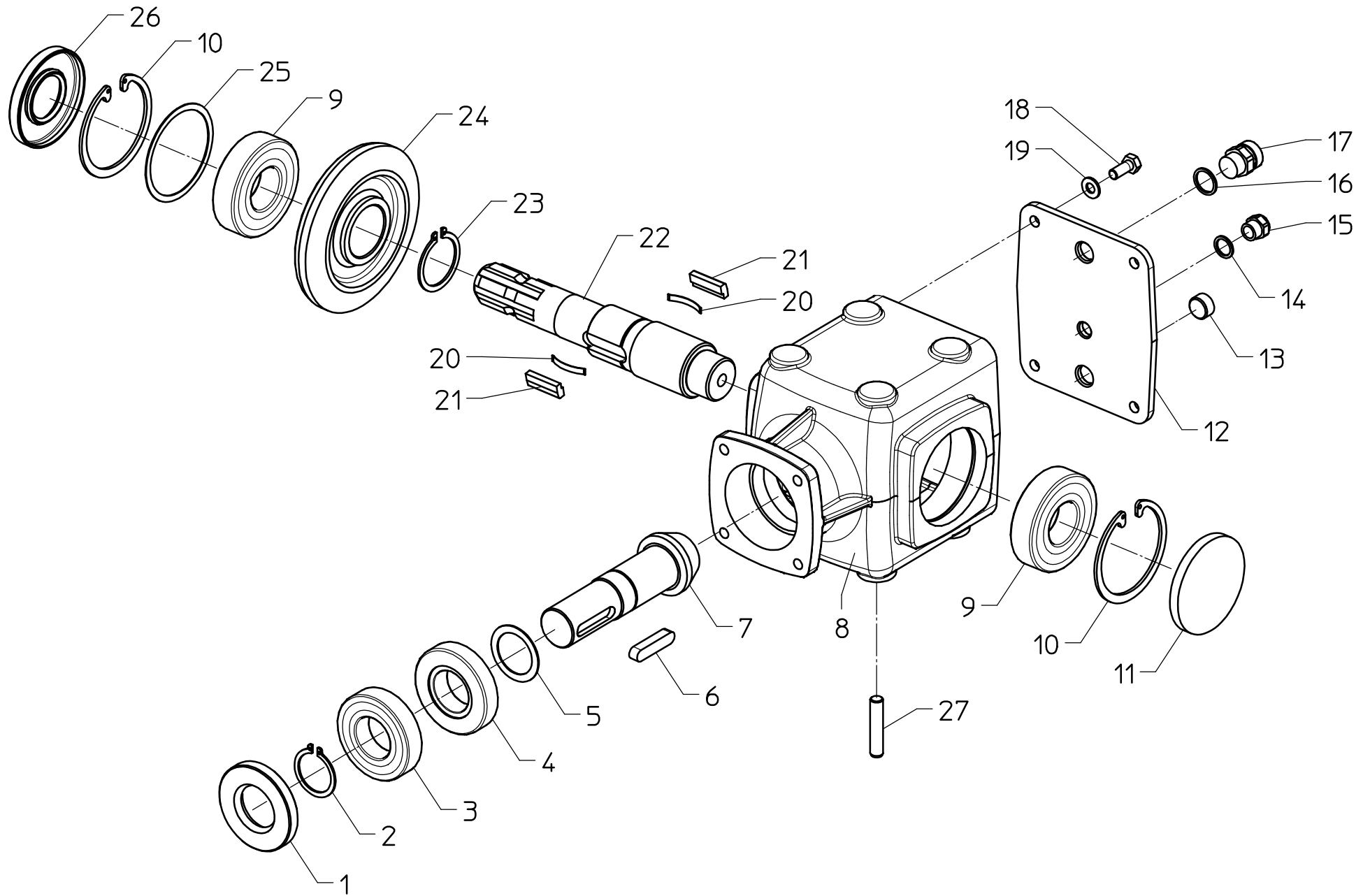
TAV. 1 - TRINCIATUTTO SPOSTABILE Mod. TMX 095 • 110 • 125 • 140 • 155 • 185

RIF.	CODICE	DENOMINAZIONE	DESCRIPTION	BENENNUNG	DESIGNATION
63	5815160	Coltello a "Y"	"Y" blade	"Y" Messer	Couteau en "Y"
64	5005731	Alberone TMX-095	Shaft TMX-095	Welle TMX-095	Arbre TMX-095
64	5005732	Alberone TMX-110	Shaft TMX-110	Welle TMX-110	Arbre TMX-110
64	5005733	Alberone TMX-125	Shaft TMX-125	Welle TMX-125	Arbre TMX-125
64	5005734	Alberone TMX-140	Shaft TMX-140	Welle TMX-140	Arbre TMX-140
64	5005735	Alberone TMX-155	Shaft TMX-155	Welle TMX-155	Arbre TMX-155
64	5005736	Alberone TMX-185	Shaft TMX-185	Welle TMX-185	Arbre TMX-185
65	34022012	Rondella dent. ø 12 UNI 6798 N.	Washer ø 12 UNI 6798	Scheibe ø 12 UNI 6798	Rondelle ø 12 UNI 6798
66	5135755	Supporto lato pulegge	Support	Halterung	Support
67	5135756	Supporto lato moltiplicatore	Support	Halterung	Support
68	34120018	Rondella piana ø 18 UNI 6592 Z.	Washer ø 18 UNI 6592	Scheibe ø 18 UNI 6592	Rondelle ø 18 UNI 6592
69	5005737	Carter cinghie TMX	Carter belts	Riemengahäuse	Carter courroies
70	6363565	Calettatore VK 156 - 35x65	Self-locking units	Spannsätze	Bague conique d'assemblage
71	5645150	Puleggia DP-200 2B TMX-095•110•125	Driving pulley TMX-095•110•125	Zuführungsrolle TMX-095•110•125	Poulie de comm. TMX-095•110•125
71	5645153	Puleggia SPB F65 ø 200x3 TMX-140•155•185	Driving pulley TMX-140•155•185	Zuführungsrolle TMX-140•155•185	Poulie de comm. TMX-140•155•185
72	6721048	Cinghie B48	V-type belt B48	Keilriemen B48	Courroie B48
73	31516040	Vite M16x40x2 UNI 5739 Z.	Screw M16x40x2 UNI 5739	Schraube M16x40x2 UNI 5739	Vis M16x40x2 UNI 5739
74	6340550	Copiglia ø 5x50 UNI 1336	Cotter pin ø 5x50 UNI 1336	Splint ø 5x50 UNI 1336	Goupille ø 5x50 UNI 1336
75	5205142	Rampone	Lug	Klammer	Béquille
76	5136608	Palette protezione	Protection blade	Palette	Palette protection
77	6560010	Ingrassatore a punta M10x1,25	Grease nipple M10x1,25	Schmiernippel M10x1,25	Graisseur M10x1,25
78	6320035	Seeger E ø 35	Circlip E ø 35	Seegersicherung E ø 35	Bague d'arrêt E ø 35
79	31510030	Vite M10x1,5x30 UNI 5739 Z.	Screw M10x1,5x30 UNI 5739	Schraube M10x1,5x30 UNI 5739	Vis M10x1,5x30 UNI 5739
80	2822207	Cuscinetto 22207	Bearing 22207	Lager 22207	Roulement 22207
81	2022207	Nilos 22207/AV	Nilos ring 22207/AV	Nilos-ringe 22207/AV	Anneau Nilos 22207/AV
82	5005741	Leva tendicinghia	Lever	Levier	Hebel
83	5705702	Supporto lato esterno	Support	Halterung	Support
84	34000014	Dado M14 PG alto UNI 5587 N.	Nut M14 PG UNI 5587	Mutter M14 PG UNI 5587	Ecrou M14 PG UNI 5587
85	5005725	Porta ramponi TMX-095	Lug carrier TMX-095	Klammerhalter TMX-095	Porte-béquilles TMX-095
85	5005726	Porta ramponi TMX-110	Lug carrier TMX-110	Klammerhalter TMX-110	Porte-béquilles TMX-110
85	5005727	Porta ramponi TMX-125	Lug carrier TMX-125	Klammerhalter TMX-125	Porte-béquilles TMX-125
85	5005728	Porta ramponi TMX-140	Lug carrier TMX-140	Klammerhalter TMX-140	Porte-béquilles TMX-140
85	5005729	Porta ramponi TMX-155	Lug carrier TMX-155	Klammerhalter TMX-155	Porte-béquilles TMX-155
85	5005730	Porta ramponi TMX-185	Lug carrier TMX-185	Klammerhalter TMX-185	Porte-béquilles TMX-185
86	5535710	Boccola per coltello TMX	Bushing	Buchse	Douille
87	31512030	Vite M12x30x1,75 UNI 5739 Z.	Screw M12x30x1,75 UNI 5739	Schraube M12x30x1,75 UNI 5739	Vis M12x30x1,75 UNI 5739
88	5215701	Molla tendicinghia	Spring	Feder	Ressort
89	5785701	Rullo tendi cinghie	Belt adjuster	Riemenspanner	Tendeur de courroie
90	34020014	Rondella piana ø 14 UNI 6592 N.	Washer ø 14 UNI 6592	Scheibe ø 14 UNI 6592	Rondelle ø 14 UNI 6592
91	5535159	Distanziale puleggia ø 45	Spacer ø 45	Distanzstück ø 45	Entretoise ø 45
92	2226205	Cuscinetto 6204 2RS	Bearing 6204 2RS	Lager 6204 2RS	Roulement 6204 2RS
93	34121010	Rondella grower ø 10 UNI 1751 Z.	Washer ø 10 UNI 1751	Scheibe ø 10 UNI 1751	Rondelle ø 10 UNI 1751
94	5715100	Martello liscio	Ram	Hammer	Masse
95	31310080	Vite M10x80x1,5 UNI 5737 Z.	Screw M10x80x1,5 UNI 5737	Schraube M10x80x1,5 UNI 5737	Vis M10x80x1,5 UNI 5737
96	31508025	Vite M8x1,25x25 UNI 5739 Z.	Screw M8x1,25x25 UNI 5739	Schraube M8x1,25x25 UNI 5739	Vis M8x1,25x25 UNI 5739
97	2122207	Nilos 22207/JV	Nilos ring 22207/JV	Nilos-ringe 22207/JV	Anneau Nilos 22207/JV
98	5705701	Supporto lato puleggia	Support	Halterung	Support
99	30212035	Vite M12x1,75x35 UNI 5739 N.	Screw M12x1,75x35 UNI 5739	Schraube M12x1,75x35 UNI 5739	Vis M12x1,75x35 UNI 5739
100	2030030	Cuscinetto UC-206	Bearing UC-206	Lager UC-206	Roulement UC-206
101	5005758	Supporto rullo dx	Right roller support	Rechter Rollenträger	Support rouleau droit
102	5005759	Supporto rullo sx	Left roller support	Linker Rollenträger	Support rouleau gauche
103	34000010	Dado M10 PG UNI 5587 N.	Nut M10 PG UNI 5587	Mutter M10 PG UNI 5587	Ecrou autobloquant M10 PG UNI 5587
104	6204562	Paraolio ø 45x62x10	Oil seal ø 45x62x10	Oelabdichtung ø 45x62x10	Pare-huile ø 45x62x10
105	5595160	Anello portaparaolio	Metal ring	Distanzring	Anneau
106	5005740	Complessivo protezione	Protection	Schutz	Protection
107	5645156	Puleggia SPB160/2B TMX-095•110•125	Driving pulley TMX-095•110•125	Zuführungsrolle TMX-095•110•125	Poulie de comm. TMX-095•110•125
107	5645157	Puleggia SPB160/3B TMX-140•155•185	Driving pulley TMX-140•155•185	Zuführungsrolle TMX-140•155•185	Poulie de comm. TMX-140•155•185
108	31106010	Grano M6x10x1 UNI 5927 N.	Dowel pin M6x10x1 UNI 5927	Stift M6x10x1 UNI 5927	Pivot de repere M6x10x1 UNI 5927
109	34106012	Dado aut. M12 PG alto UNI 7473 Z.	Self locking nut M12 PG UNI 7473	Nutmutter M12 PG UNI 7473	Ecrou autobloquant M12 PG UNI 7473
110	31510030	Vite M10x30x1,5 UNI 5739 Z.	Screw M10x30x1,5 UNI 5739	Schraube M10x30x1,5 UNI 5739	Vis M10x30x1,5 UNI 5739
111	30212030	Vite M12x1,75x30 UNI 5739 N.	Screw M12x1,75x30 UNI 5739	Schraube M12x1,75x30 UNI 5739	Vis M12x1,75x30 UNI 5739
112	34020012	Rondella piana ø 12 UNI 6592 N.	Washer ø 12 UNI 6592	Scheibe ø 12 UNI 6592	Rondelle ø 12 UNI 6592
113	5005713	Rullo stabilizzatore TMX-095	Roller TMX-095	Rolle TMX-095	Rouleau TMX-095
113	5005714	Rullo stabilizzatore TMX-110	Roller TMX-110	Rolle TMX-110	Rouleau TMX-110
113	5005715	Rullo stabilizzatore TMX-125	Roller TMX-125	Rolle TMX-125	Rouleau TMX-125
113	5005716	Rullo stabilizzatore TMX-140	Roller TMX-140	Rolle TMX-140	Rouleau TMX-140
113	5005717	Rullo stabilizzatore TMX-155	Roller TMX-155	Rolle TMX-155	Rouleau TMX-155
113	5005718	Rullo stabilizzatore TMX-185	Roller TMX-185	Rolle TMX-185	Rouleau TMX-185
114	5865701	Angolare raschiarullo TMX-095	Scraper TMX-095	Schrapper TMX-095	Râclette TMX-095
114	5865702	Angolare raschiarullo TMX-110	Scraper TMX-110	Schrapper TMX-110	Râclette TMX-110
114	5865703	Angolare raschiarullo TMX-125	Scraper TMX-125	Schrapper TMX-125	Râclette TMX-125
114	5865704	Angolare raschiarullo TMX-140	Scraper TMX-140	Schrapper TMX-140	Râclette TMX-140
114	5865705	Angolare raschiarullo TMX-155	Scraper TMX-155	Schrapper TMX-155	Râclette TMX-155
114	5865706	Angolare raschiarullo TMX-185	Scraper TMX-185	Schrapper TMX-185	Râclette TMX-185
115	5136609	Palette protezione stretta	Protection blade	Palette	Palette protection
116	6560006	Ingrassatore a 45° M6x1	Grease nipple M6x1	Schmiernippel M6x1	Graisseur M6x1
117	30210025	Vite M10x1,5x25 UNI 5739 N.	Screw M10x1,5x25 UNI 5739	Schraube M10x1,5x25 UNI 5739	Vis M10x1,5x25 UNI 5739
118	5005766	Piastra tirante 3° punto	Plate	Platte	Plaque
119	6330620	Spina elastica ø 6x20	Split pin ø 6x20	Splint ø 6x20	Goupille elastique ø 6x20
120	5005765	Supporto	Support	Halterung	Support
121	30210020	Vite TCEI M10x20x1,5 N.	Screw TCEI M10x20x1,5	Schraube TCEI M10x20x1,5	Vis TCEI M10x20x1,5
122	34021014	Rondella grower ø 14 UNI1751 N.	Washer ø 14 UNI1751	Scheibe ø 14 UNI1751	Rondelle ø 14 UNI1751
123	30214045	Vite M14x45x2 UNI 5739 N.	Screw M14x45x2 UNI 5739	Schraube M14x45x2 UNI 5739	Vis M14x45x2 UNI 5739

TAV. 1 - TRINCIATUTTO SPOSTABILE Mod. TMX 095 • 110 • 125 • 140 • 155 • 185

RIF.	CODICE	DENOMINAZIONE	DESCRIPTION	BENENNUNG	DESIGNATION
124	5835702	Tirante arco mobile	Tie rod	Spannstange	Tirant
125	5935711	Supporto	Support	Halterung	Support
126	6330845	Spina elastica	Split pin	Splint	Goupille elastique
127	5005743	Tubolare interno	Iron pipe	Starres rohr	Tube en fer
128	5005744	Tubolare esterno	Iron pipe	Starres rohr	Tube en fer
129	34118012	Rondella fascia larga ø 12x36 UNI 6593 Z.	Washer ø 12x36 UNI 6593	Scheibe ø 12x36 UNI 6593	Rondelle ø 12x36 UNI 6593
130	34106012	Dado aut. M12 alto UNI 7473	Nut M12 UNI 7473	Mutter M12 UNI 7473	Ecrou M12 UNI 7473
131	41310055	Vite M10x55x1,5 UNI 5737 Z.	Screw M10x55x1,5 UNI 5737	Schraube M10x55x1,5 UNI 5737	Vis M10x55x1,5 UNI 5737
132	31508020	Vite M8x20x1,25 UNI 5739 Z.	Screw M8x20x1,25 UNI 5739	Schraube M8x20x1,25 UNI 5739	Vis M8x20x1,25 UNI 5739
133	5134389	Coperchio a goccia	Bonnet	Deckel	Capot
134	5005746	Appoggio coperchio TMX-095	Support TMX-095	Halterung TMX-095	Support TMX-095
134	5005747	Appoggio coperchio TMX-110	Support TMX-110	Halterung TMX-110	Support TMX-110
134	5005748	Appoggio coperchio TMX-125	Support TMX-125	Halterung TMX-125	Support TMX-125
134	5005749	Appoggio coperchio TMX-140	Support TMX-140	Halterung TMX-140	Support TMX-140
134	5005750	Appoggio coperchio TMX-155	Support TMX-155	Halterung TMX-155	Support TMX-155
134	5005751	Appoggio coperchio TMX-185	Support TMX-185	Halterung TMX-185	Support TMX-185
135	5005719	Porta battitori TMX-095	Support TMX-095	Halterung TMX-095	Support TMX-095
135	5005720	Porta battitori TMX-110	Support TMX-110	Halterung TMX-110	Support TMX-110
135	5005721	Porta battitori TMX-125	Support TMX-125	Halterung TMX-125	Support TMX-125
135	5005722	Porta battitori TMX-140	Support TMX-140	Halterung TMX-140	Support TMX-140
135	5005723	Porta battitori TMX-155	Support TMX-155	Halterung TMX-155	Support TMX-155
135	5005724	Porta battitori TMX-185	Support TMX-185	Halterung TMX-185	Support TMX-185
136	5005768	Slitte protezione esterna	Skid	Schlitten	Glissiere
137	5005769	Slitte protezione carter	Skid	Schlitten	Glissiere
138	5535709	Distanziale	Spacer	Abstandstück	Entretoise
139	5005770	Supporto ruota lato dx	Support	Halterung	Support
140	5005771	Supporto ruota lato sx	Support	Halterung	Support
141	5005772	Staffa	Bracket	Pratze	Bride
142	4301406	Cravatta	"U" screw	Halter	Etrier
143	5005773	Cannotto ruota	Support	Halterung	Support
144	5005774	Braccio ruota lato dx	Arm	Arm	Bras
145	5005775	Braccio ruota lato sx	Arm	Arm	Bras
146	5535711	Distanziale H=32	Spacer H=32	Abstandstück H=32	Entretoise H=32
147	5535712	Distanziale H=25	Spacer H=25	Abstandstück H=25	Entretoise H=25
148	5535713	Distanziale H=12,5	Spacer H=12,5	Abstandstück H=12,5	Entretoise H=12,5
149	5535714	Distanziale H=6	Spacer H=6	Abstandstück H=6	Entretoise H=6
150	2106206	Cuscinetto	Bearing	Lager	Roulement
151	2106305	Cuscinetto	Bearing	Lager	Roulement
152	5782791	Cuscinetto Iglidur M250	Bearing Iglidur M250	Lager Iglidur M250	Roulement Iglidur M250
153	5533008	Boccola distanziale	Bushing	Büchse	Douille
154	6332056	Spina a scatto ø 8	Linch pin ø 8	Klappsplint ø 8	Goujon de sûreté ø 8
155	6610230	Ruota	Wheel	Räd	Roue
156	34006120	Dado a corona ø 20	Nut ø 20	Mutter ø 20	Ecrou ø 20
157	6340350	Copiglia ø 3x50 UNI 1336	Cotter pin ø 3x50 UNI 1336	Splint ø 3x50 UNI 1336	Goupille ø 3x50 UNI 1336

Type: MULTIPLICATIRE
Mod.: GT30
Rev.: 03/2009
Drw.: 2/2



Type : MOLTIPLICATORE

Mod. : GT30

Rev.: 03/2009

Tab.: 2/2

Pag.: 1/1

POS.	COD. SICMA	DESCRIZIONE	DESCRIPTION	Q.TA'
ITEM	SICMA P/N			QTY
1	6203572	PARAOLIO 35x72x10 PP	SEAL (DOUBLE RIM) 35x72x10 PP	1
2	6320035	SEEGER PER ALBERI Ø35 DIN 471	SHAFT ELASTIC RING Ø35 DIN 471	1
3	2106207	CUSCINETTO 6207	BEARING 6207	1
4	2730207	CUSCINETTO 30207	BEARING 30207	1
5	6013510	SPESSORE 35x47x1	SHIM 35x47x1	1
6	6361045	LINGUETTA 10x8x45 UNI 6604	PARALLEL KEY 10x8x45 UNI 6604	1
7	17215-08	PIGNONE CONICO Z11	BEVEL PINION Z11	1
8	16515-01	CARTER GRUPPO GT30	GEARBOX CASE	1
9	2106307	BEARING 6307	BEARING 6307	2
10	6310080	SEEGER DA INTERNI Ø80 DIN 472	INTERNAL CIRCLIP Ø80 DIN 472	2
11	6100080	CAPPELOTTO CHIUSURA Ø80	SEAL CAP Ø80	1
12	19315-01	COPERCHIO GRUPPO GT30	BACK COVER	1
13	3441018	TAPPO CONICO M18	FILL PLUG M18	1
14	6470114	RONDELLA DI TENUTA M14	ALUMINIUM WASHER M14	1
15	3444014	TAPPO CON OBLO' M14	OIL LEVEL PLUG M14	1
16	6470117	RONDELLA DI TENUTA M18	ALUMINIUM WASHER M18	1
17	3442018	TAPPO VALVOLA M18	PRESSURE RELIEF PLUG M18	1
18	31508020	VITE M8x20 UNI 5739	SCREW M8x20 UNI 5739	4
19	34120008	RONDELLA M8 UNI 6592	WASHER M8 UNI 6592	4
20	1811001	MOLLA PIATTA	FLAT SPRING	2
21	1321001	NASELLO PER RUOTA LIBERA	PARALLEL KEY FREE WHEEL	2
22	12215-01	ALBERO PRESA DI FORZA GRUPPO GT30	INPUT SHAFT	1
23	6320042	SEEGER PER ALBERI Ø42 DIN 471	SHAFT ELASTIC RING Ø42 DIN 471	1
24	17215-07	CORONA CONICA Z33	BEVEL GEAR Z33	1
25	6017008	SPESSORE 70X80x0.8	SHIM 70X80x0.8	1
26	6203580	PARAOLIO 35x80x10 PP	OIL SEAL 35x80x10 PP	1
27	4307516	PRIGIONIERO M12 L25	STUD SCREW M12 L25	4